

# *Corberó*

CCST 35060 T

HOUSEHOLD- BUILT-IN COOKER HOOD



Instruction Manual

CE

## Introduction

Thank you for choosing our product. We hope you will enjoy using the appliance.

### Symbols in these Instructions for Use

Important information for your safety is specially marked. It is essential to comply with these instructions in order to avoid accidents and prevent damage to the machine:

#### **WARNING:**

This warns you of dangers to your health and indicates possible injury risks.

#### **CAUTION:**

This refers to possible hazards to the machine or other objects.

#### **NOTE:** This highlights tips and information.

## General Notes

Read the operating instructions carefully before putting the appliance into operation and keep the instructions and the receipt. If you give this appliance to other people, please also pass on the operating instructions.

- The appliance is designed exclusively for private use and for the envisaged purpose. This appliance is not fit for commercial use.
- The appliance is only to be used as described in the user manual. Do not use the appliance for any other purpose. Any other use is not intended and can result in damages or personal injuries.
- Operate the appliance only **properly installed**.
- Do not use it outdoors. Keep it away from sources of heat, direct sunlight and humidity. Do not use the appliance with wet hands.
- Do **not** operate the machine without supervision.
- When not in use, for cleaning, user maintenance works or with disruption, switch off the appliance and if possibly disconnect the plug (pull the plug itself, not the lead) or turn off the fuse.
- The appliance and if possibly the mains lead have to be checked regularly for signs of damage. If damage is found the appliance must not be used.
- For safety reasons, alterations or modifications of the appliance are prohibited.
- In order to ensure your children's safety, please keep all packaging (plastic bags, boxes, polystyrene etc.) out of their reach.

#### **WARNING:**

Do not allow small children to play with the foil. There is a **danger of suffocation!**

## Special safety Information for this Unit

- Provision shall be made for adequate ventilation in the room when the cooker hood is operated simultaneously with appliances that burn gas or other fuels.
- **Attention!** Accessible parts of the appliance may become hot when used with cooking utensils.
- Do not flambé under the cooker hood! You can fry under the hood due to fire hazard only under constant observation.
- Open the gas supply at gas stoves only when cookware is on the stove. **Risk of fire!** The filter can be damaged.
- Food during frying should be constantly supervised. By overheated oil can arise a **fire hazard**.
- Do not check the filter condition while the hood is in operation.
- NEVER use the appliance without fixed aluminum grease filter.
- If the cooker hood and other devices which are powered by other forms of energy as electricity, served together, the pressure in the room should not exceed 4 Pa ( $4 \times 10^{-5}$  bar).
- Regulations concerning the discharge of air have to be fulfilled.
- Follow the installation instructions. Note the instructions that we give you in the chapter "Installation".
- This appliance can be used by **children** aged from 8 years and above and persons with reduced physical, sensory or mental capabilities or lack of experience and knowledge if they have been given supervision or instruction concerning **use of the appliance** in a safe way and understand the hazards involved.
- **Children** shall not play with the appliance.
- Cleaning and **user maintenance** shall not be made by **children** unless they are older 8 years and supervised.
- The appliance must be cleaned regularly. Follow the instructions that we give you in the chapter "Cleaning and Maintenance". There is a **risk of fire** if cleaning is not carried out according to these instructions.

- Do not try to repair the appliance on your own. Always contact an authorized technician. To avoid the exposure to danger, always have faulty cable be replaced only by the manufacturer, by our customer service or by qualified person and with a cable of the same type.

### Unpacking the Appliance

1. Remove the appliance from its packaging.
2. Remove all packaging material, such as foils, filler, cable holder and cardboard packaging.
3. To prevent hazards, check the appliance for any transport damage.
4. In case of damage, do not put the appliance into operation. Contact your distributor.

**i NOTE:**

Production residue or dust may have collected on the appliance. We recommend cleaning the appliance according to chapter "Cleaning and Maintenance".

### Overview of the Appliance

**i NOTE:** The original appliance may differ from the appliance pictured here.



1	Pull-out device with aluminum grease filter
2	Control panel
3	Aluminum grease filter
4	Lighting

#### Supplied parts

1 x connecting piece with non-return valves                      1 x spacer strip  
 Assembly material incl. drill template

### Installation

There must be a safety distance between the hotplate of the cooking pot on the hob and the bottom part of the extractor hood:

**The distance must be between 60 – 75 cm. For gas appliances, the distance must be at least 65 cm.** If the installation instructions for the gas cooker specify a greater distance, this distance must be taken into consideration.

## Selecting the fume outlet

You can operate the extractor hood in two modes:

### Extraction mode

#### **WARNING:**

- The extracted air may not be vented into a flue which is used for the waste gas from appliances which are powered by gas or other fuels.
- When venting the extracted air, comply with the regulations of the relevant local authorities.

The hood has an upper air outlet to vent cooking odours to the outside.

- The extracted air is normally vented vertically. If there is a suitable loft space above your kitchen, the extracted air is vented through the wall units and the loft floor to the roof ridge.
- If there is a conduit in your kitchen under the wall units, the extraction duct can be routed so that the extracted air can be vented horizontally through the wall.

### Recirculation mode

If you do not have a direct extraction vent to the outside; the hood can also work in recirculation mode (i.e. without an extraction vent to the outside; the filtered air is released back into the room). In this case, an activated carbon filter as described under “Installing the activated carbon filter for recirculation mode” must be used.

The activated carbon filter is not supplied

## Assembly

#### **WARNING:**

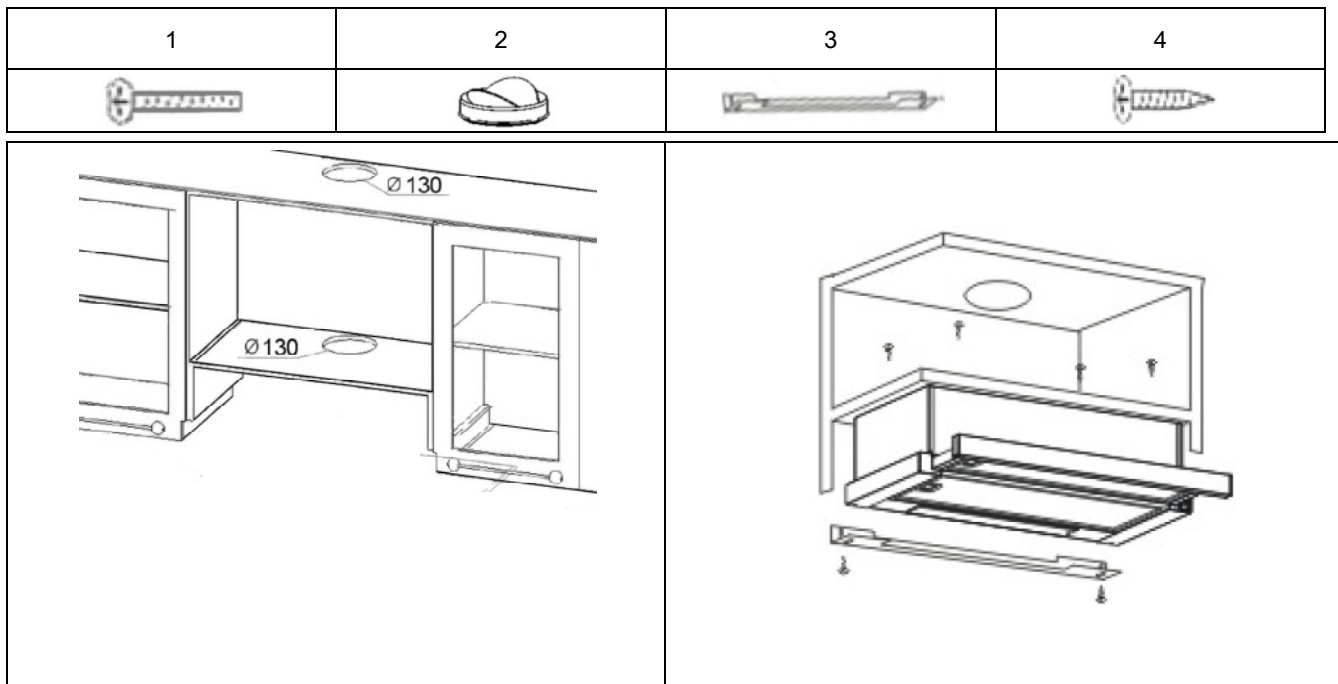
- When assembling or inserting the extraction filter as well as the carbon filter, the appliance must not be connected to the mains.
- Failure to use the mounting fixtures may lead to a **risk of electric shock**.

#### **CAUTION:**

- Before mounting, check that the wall has sufficient load capacity to bear the extractor hood.
- When drilling the holes in the wall always make sure that no existing electrical cables or other objects are damaged.
- Make sure that the vents are clear of obstacles and are not covered.

#### **NOTE: Recommendations for preparation work**

- When installing, ask another person to assist.
- Wear protective gloves to prevent injuries from any sharp edges.



- The hood is mounted below a suitable wall unit. Determine the position of the extractor hood centrally above the hob in conformance with the specified safety distances.
- Pull the pull-out device and remove the aluminum grease filter.
- Hold the hood to the specified cabinet position and draw the drilling points from the inside of the unit corresponding to the six screw holes. Check them with a spirit level.
- For extraction mode, you must also create a feed through of approx. Ø 130 mm in the base of the unit.
- If the mains cable is fed through the unit, a feed through also must be provided.
- Drill six mounting holes of Ø 4 mm through the base of the unit.
- Screw in the appliance with the screws (1) and washers under the wall unit.
- Insert the connecting piece with non-return valves (2) onto the extraction duct from above. Make sure that the mounting hooks on the connecting piece latch into place.
- For extraction mode, a flexible extraction hose (not supplied) with an inner diameter of Ø 120 mm must be fitted and connected to the outside by an extraction vent.
- To fill the gap between the wall and the appliance, attach the spacer strip (3) on the narrow or wide side, depending on the gap. Mount the strip using the screws (4) in the holes provided on the appliance.
- Reinstall the aluminum grease filter.

#### Installing the activated carbon filter for recirculation mode

- Pull the pull-out device and remove the aluminum grease filter.
- Place the carbon filter onto the air intake of the extraction duct. Make sure that the mounting pins on the extraction duct engage the mounting slots of the carbon filter. Turn the respective filter clockwise until it clicks into place.
- Reinstall the aluminum grease filter.

#### **i** NOTE:

The activated carbon filter absorbs odours and must be replaced at least every six months regardless of use.

## Electrical connection

### **WARNING:**

- The installation to the mains supply must conform to the local standards and regulations.
  - Improper connection may cause to an **electric shock!**
  - Do not modify the appliance plug. If the plug does not fit properly to the outlet, let install a proper outlet by an authorized specialist.
  - The accessibility of the power plug must be ensured in order to disconnect the appliance from the power supply in case of an emergency.
- 
- Ensure that your mains power corresponds with the specifications of the appliance. The specifications are printed on the rating label.
  - Connect the mains cable to a properly installed and earthed wall outlet.

## Startup / Operation

### Cooker hood

The diameter of the pot and pan floors should be according to the size of the cooking zone.

Use pans and pots with flat floors, uneven floors increase the energy consumption.

Ensure that there is sufficient supply air for the operation of the cooker hood.

Adjust the fan step intensity of the damp evolution of the cooking process.

To product the optimal effect of the cooker hood, install it according to the installation instructions. Keep the distance between the upper edge of the cooker and the lower edge of the cooker hood.

Clean the filter regularly.

Controll the active carbon filter regularly and renew it as required.

Switch off the cooker hood after use.

If your cooker hood has a switch-off delay, activate this function.

Switch off the lighting after the cooking process.

We recommend the use of biological cleaners.

### Cooker hood

#### Information for non-destructive disassembly for maintenance purposes

Please remove the filter and lamps as described in the manual.

Further steps of disassembly for maintenance are not provided

If you would like to exchange defective components, please contact our customer service.

Accumulators are not included.

## Information for disassembly in terms of recycling, recovery and disposal at the end of the life of the appliance

Check that the unit is disconnected from the power supply before removing all filter from the hood.

First remove the chimney.

When disassembling the hood, be sure that you first loosen the lower and then the upper screws.

For the recycling and recovery of resources give the appliance, the lamps and the various filter to:

- a communal collection point of public waste disposal authorities
- a dedicated disposal company, offering a return system
- a resident electric trader, who voluntary withdraws electrical appliances

The extractor hood is operated via two rocker switches. The lighting and the fan settings must be switched on and off with the corresponding switches. Pull the pull-out device to be able to operate the switches.

- |    |                     |   |              |
|----|---------------------|---|--------------|
| I  | Lowest fan setting  | O | Lighting off |
| O  | Fan off             | ⊗ | Lighting on  |
| II | Highest fan setting |   |              |

The motor starts when you pull the pull-out device and stops when you push the device back in.

### **I Power level:**

The motor begins to run at low speed. This setting is suitable for cooking on a low flame and for dishes which produce no or little steam, in order to circulate the air around the kitchen.

### **II Power level:**

The motor runs at highest speed. This setting is suitable for normal cooking.

### **i NOTE:**

- If a lot of vapour is produced, the fan should be left running for a few minutes after cooking. Only leave the fan running if absolutely necessary, since otherwise unnecessary energy is consumed.
- If the pull-out device is closed, the extractor hood switches back on with the same setting at which it was closed when the device is opened again.

## **Cleaning and Maintenance**

The appliance and the operation thereof are best maintained by regular cleaning of your extractor hood as well as the filter. The extractor hood and accessories should also be cleaned regularly for hygiene reasons.

### **⚠ WARNING:**

- Before cleaning or maintenance work, the device should always turn off and disconnect the mains plug or switch off the fuse.

### **⚠ WARNING:**

- Allow the unit to cool down before cleaning.
- Do not use steam cleaners for cleaning the device; moisture could enter electrical components. **Risk of electric shock!** Hot steam could damage the plastic parts. The device must be dry before restarting operation.



**⚠ CAUTION:**

- Do not use a wire brush or other sharp, abrasive items.
- Do not use any acidic or abrasive cleaners.
- To clean the surface of the housing, use a mild detergent and a soft cloth to prevent scratching.
- The appliance can be used again after everything has dried properly.
- If you use your extractor hood in recirculation mode, you must replace the activated carbon filter regularly (see “Replacing the activated carbon filter”).

### **Cleaning the aluminum grease filter**

**⚠ WARNING: Risk of fire!**

Grease residues in the aluminum grease filter may ignite on exposure to high temperatures. It is therefore important that the grease filter is regularly cleaned / replaced.

Grease and vapours collect in the filter and may accumulate if not regularly cleaned. We recommend that you clean the grease filter monthly:

- Remove the aluminum grease filter by sliding back the lock in the handle recess, push the filter down gently and pull out towards the front.
- Rinse the grease filter in a solution of hot water and neutral detergent. Soak the filter in the solution.
- Then clean with a soft brush, rinse thoroughly with hot water and leave to dry.
- Alternatively, the grease filter can also be cleaned in the dishwasher (up to 60°C). Slight discoloration may occur in the dishwasher. This does not affect the function of the grease filter.

### **Replacing the activated carbon filter**

The activated carbon filter absorbs odours and must be replaced at least every six months, depending on use. Order the carbon filter from your dealer To order, use the  
reference number found under “Technical Data”.

- See “Installing the activated carbon filter for recirculation mode”.
- Remove the old carbon filter by turning the filter anti-clockwise.

### **Replacing the lighting**

**⚠ WARNING:**

Allow the lamps to cool before replacing the lighting. **Risk of burns!**

- Use the correct lighting: 2 x40 W Halogen Lights
- Pull the pull-out device and remove the aluminum grease filter.
- Remove the faulty bulbs and screw in new bulbs.
- Reinstall the aluminum grease filter.

## Repairs

A wrong or improperly performed repair brings danger to the user.

Repairs to electrical appliances must only be carried out by an authorized specialist. A damaged power cord must be changed only by a qualified electrician.

## Troubleshooting

### Before you contact an authorized specialist

Problem	Possible cause	Solution
The appliance is not working or does not work properly	<ul style="list-style-type: none"> <li>- Is the unit not connected to mains power?</li> <li>- Have you set the power level?</li> </ul>	<ul style="list-style-type: none"> <li>- Insert the plug properly in the contact socket. Check the fuse.</li> <li>- Check the setting.</li> </ul>
The appliance does not run efficiently	<ul style="list-style-type: none"> <li>- Have you set the correct power level?</li> <li>- Are the grease filter dirty?</li> <li>- Is the carbon filter needed for recirculation (correctly) installed?</li> <li>- Is the air outlet required for extraction mode clear?</li> </ul>	<ul style="list-style-type: none"> <li>- Check the setting. The kitchen is not properly ventilated.</li> <li>- Clean the grease filter (see "Cleaning the aluminum grease filter").</li> <li>- Check the carbon filter (see "Replacing the activated carbon filter").</li> <li>- Check the air outlet.</li> </ul>
The appliance has stopped operating	The appliance has overheated and has triggered the internal overheating protection.	Switch off the appliance and wait a while before you switch it back on. Follow the safety instructions as well as the specified safety distances for the cooking utensils.
The lighting does not work	The lighting is faulty, was incorrectly installed, lamp not secure in the fitting.	Check the lighting (see "Replacing the lighting").
Oil dripping from the appliance	The grease filter are dirty.	Clean the grease filter.

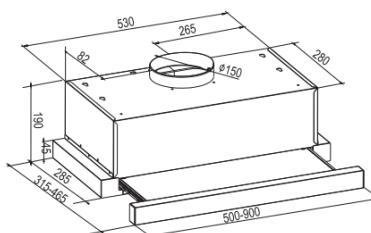
#### **i** NOTE:

If a problem still persists after following the steps above, contact your trader or an authorized technician.

## Technical Data

<b>Model</b>	CCST35060TL
Wall flue	60 cm wide
Power supply	220-240 V~, 50 Hz
Lighting, halogen	2 x 40 W
Power rating	145 W
Protection class	II
Net weight	approx. kg

Overview of dimensions,  
figures in mm



The right to make technical and design modifications in the course of continuous product development remains reserved.  
This appliance has been tested according to all relevant current CE guidelines, such as electromagnetic compatibility and low voltage directives, and has been constructed in accordance with the latest safety regulations.



### Disposal

#### Meaning of the "Dustbin" Symbol

Protect our environment; do not dispose of electrical equipment in the domestic waste.

Please return any electrical equipment that you will no longer use to the collection points provided for their disposal.

This helps avoid the potential effects of incorrect disposal on the environment and human health.

This will contribute to the recycling and other forms of reutilization of electrical and electronic equipment.

Information concerning where the equipment can be disposed of can be obtained from your local authority.

#### **WARNING:**

Remove or disable any existing snap and bolt locks, if you take the appliance out of operation or dispose it.

## CERTIFICADO DE GARANTÍA

Imprescindible la presentación de la factura de compra acompañada del presente certificado de garantía.

### Riesgos cubiertos.

Este aparato está garantizado contra cualquier defecto de funcionamiento, siempre que se destine a uso doméstico, procediéndose a su reparación dentro del plazo de garantía y sólo por la red de SAT autorizados.

Nuestros electrodomésticos Corberó cuentan con la garantía legal del fabricante que cubre cualquier avería o defecto durante 36 meses, desde su fecha factura de 1 de enero del 2022. En caso de que fuera necesario, nosotros nos ocupamos de cualquier posible incidencia siempre que se deba a un componente defectuoso o fallo de fabricación.

### Excepciones de garantía.

- Que la fecha del certificado no coincida con la fecha de venta de la factura original.
- Averías producidas por golpe, por caída o cualquier otra causa de fuerza mayor.
- Si el aparato ha sido manipulado por personal no autorizado.
- Las averías producidas o derivadas como consecuencia de un uso inadecuado, por defectos de instalación, por introducir modificaciones en el aparato que alteren su funcionamiento.
- Puestas en marcha, mantenimiento, limpiezas, componentes sujetos a desgaste, lámparas, piezas estéticas, oxidaciones, plásticos, gomas, carcasas y cristales.
- Los hornos microondas (a excepción de los integrables) y los hornos sobremesa en el caso de cualquier incidencia de funcionamiento, deben de llevarse al servicio técnico más próximo por parte del cliente. No se recojen ni reparan en el domicilio.
- Garantía termos eléctricos. Garantía de 3 años incluyendo los costes de desplazamiento y mano de obra que correspondan de la reparación del producto, teniendo que tener un mantenimiento una vez cada 12 meses. Especialmente si Ud. ha instalado un aparato a gas, tenga presente como titular de la instalación, la obligatoriedad de realizar una revisión completa de los equipos, (según Real Decreto 238 / 2013, del 5 Abril. RITE. IT3, M. Lo termos eléctricos y calderas que incluyen depósitos acumuladores de agua caliente, para que se aplique la prestación de la Garantía, es obligatorio que el ánodo de magnesio esté operativo y que realice la función de protección adecuadamente. Para ello es recomendable que el ánodo se revise bianualmente por el Servicio Oficial y sea renovado cuando fuera necesario. Periodicidad que deberá ser anual en aquellas zonas con aguas críticas (contenido de CaCO<sub>3</sub> superiores a 200mg/L, es decir a partir de 20ºfH de dureza). Depósitos sin el correcto estado del ánodo de protección, no tienen la cobertura de la garantía. Independientemente del tipo de depósito o producto, todas las válvulas de sobrepresión de calefacción o a.c.s., deberán ser canalizadas para evitar daños en la vivienda por descargas de agua. La garantía del producto no asume los daños causados por la no canalización del agua derramada por esta válvula.

**“ESTAS EXCEPCIONES ANULAN LA GARANTÍA, SIENDO LA REPARACIÓN CON CARGO AL CLIENTE”**

Periodo amparado en aparatos según ley de garantías en la venta de bienes de consumo Ley vigente es “RD 7/2021”

**Servicio Técnico Oficial: 911 08 08 08**

## CERTIFICATE OF GUARANTEE

The presentation of the purchase invoice accompanied by this guarantee certificate is essential.

### Covered Risks.

This appliance is guaranteed against any malfunction, provided that it is intended for domestic use, proceeding to its repair within the warranty period and only by the authorized SAT network.

Our Corberó appliances have the manufacturer's legal warranty that covers any breakdown or defect for 36 months, from the invoice date of January 1, 2022. If necessary, we take care of any possible incident whenever it is due to a defective component or manufacturing fault. Warranty Exceptions

### Warranty Exceptions

- That the date of the certificate does not coincide with the date of sale of the original invoice.
- Faults produced by blow, by fall or any other cause of force majeure.
- If the device has been manipulated by unauthorized personnel.
- Faults produced or derived as a consequence of improper use, installation defects, or modifications to the device that alter its operation.
- Start-up, maintenance, cleaning, components subject to wear, lamps, aesthetic parts, oxidation, plastics, rubbers, housings and crystals.
- Microwave ovens (with the exception of built-in ones) and tabletop ovens in the event of any incident of operation, they must be taken to the nearest technical service by the customer. They are not collected or repaired at home.
- Electric thermos guarantee. 3-year warranty including travel and labor costs that correspond to the repair of the product, having to have maintenance once every 12 months. Especially if you have installed a gas appliance, keep in mind as the owner of the installation, the obligation to carry out a complete review of the equipment, (according to Royal Decree 238 / 2013, of April 5. RITE. IT3, M. Lo thermos electrical and boilers that include hot water storage tanks, for the benefit of the Guarantee to apply, it is mandatory that the magnesium anode is operational and that it performs the protection function adequately. For this, it is recommended that the anode be checked biannually by the Official Service and is renewed when necessary. Periodicity that must be annual in those areas with critical waters (CaCO<sub>3</sub> content greater than 200mg/L, that is, from 20°fH of hardness) Deposits without the correct state of the protection anode are not covered by the warranty. Regardless of the type of tank or product, all heating or DHW overpressure valves must be channeled to avoid damage and in the house due to water discharges. The product warranty does not cover damages caused by not channeling the water spilled by this valve.

**“THESE EXCEPTIONS VOID THE WARRANTY, THE REPAIR BEING CHARGED TO THE CUSTOMER”**

Period covered in devices according to the law of guarantees in the sale of consumer goods Current law is “RD 7/2021”

**Official Technical Service: 911 08 08 08**