

Dishwasher Instruction Manual

PART I : Generic Version

E-CLVM6419W

E-CLVM6419X

Please read this manual carefully before using the dishwasher
Keep this manual for future reference.

CONTENTS

01	03	SAFETY INFORMATION
02	08	PRODUCT OVERVIEW
03	09	USING YOUR DISHWASHER
	09	Loading The Salt Into The Softener
	11	Basket Used Tips
04	12	MAINTENANCE AND CLEANING
	12	External Care
	12	Internal Care
	15	Caring For The Dishwasher
05	16	INSTALLATION INSTRUCTION
	16	About Power Connection
	17	Water Supply And Drain
	18	Connection Of Drain Hoses
	19	Position The Appliance
	19	Free Standing Installation
	20	Built-In Installation(for the integrated model)
06	25	TROUBLESHOOTING TIPS
	28	Availability Of Spare Parts
07	29	LOADING THE BASKETS ACCORDING

NOTE:

- Reviewing the section on troubleshooting Tips will help you solve some common problems by yourself.
- If you cannot solve the problems by yourself, please ask for help from a professional technician.
- The manufacturer, following a policy of constant development and updating of the product, may make modifications without giving prior notice.
- If lost or out-of-date, you can receive a new user manual from the manufacturer or responsible vendor.

SAFETY INFORMATION

⚠ WARNING

When using your dishwasher, follow the precautions listed below:

- Installation and repair can only be carried out by a qualified technician
- This appliance is intended to be used in household and similar applications such as:
 - staff kitchen areas in shops, offices and other working environments;
 - farm houses;
 - by clients in hotels, motels and other residential type environments;
 - bed and breakfast type environments.
- This appliance can be used by children aged from 8 years and above and persons with reduced physical, sensory or mental capabilities or lack of experience and knowledge if they have been given supervision or instruction concerning use of the appliance in a safe way and understand the hazards involved.
- Children shall not play with the appliance. Cleaning and user maintenance shall not be done by children without supervision. (For EN60335-1)
This appliance is not intended for use by persons (including children) with reduced physical, sensory or

mental capabilities, or lack of experience and knowledge, unless they have been given supervision or instruction concerning use of the appliance by a person responsible for their safety. (For IEC60335-1)

- Packaging material could be dangerous for children!
- This appliance is for indoor household use only.
To protect against the risk of electrical shock, do not immerse the unit, cord or plug in water or other liquid.
- Please unplug before cleaning and performing maintenance on the appliance.
- Use a soft cloth moistened with mild soap, and then use a dry cloth to wipe it again.



Earthing Instructions

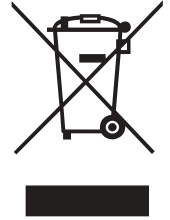
- This appliance must be earthed. In the event of a malfunction or breakdown, earthing will reduce the risk of an electric shock by providing a path of least resistance of electric current. This appliance is equipped with an earthing conductor plug.
- The plug must be plugged into an appropriate outlet that is installed and earthed in accordance with all local codes and ordinances.
- Improper connection of the equipment-earthing conductor can result in the risk of an electric shock.
- Check with a qualified electrician or service representative if you are in doubt whether the appliance is properly grounded.

- Do not modify the plug provided with the appliance; If it does not fit the outlet.
- Have a proper outlet installed by a qualified electrician.
- Do not abuse, sit on, or stand on the door or dish rack of the dishwasher.
- Do not operate your dishwasher unless all enclosure panels are properly in place.
- Open the door very carefully if the dishwasher is operating, there is a risk of water squirting out.
- Do not place any heavy objects on or stand on the door when it is open. The appliance could tip forward.
- When loading items to be washed:
 - 1) Locate sharp items so that they are not likely to damage the door seal;
 - 2) Warning: Knives and other utensils with sharp points must be loaded in the basket with their points facing down or placed in a horizontal position.
- Some dishwasher detergents are strongly alkaline. They can be extremely dangerous if swallowed. Avoid contact with the skin and eyes and keep children away from the dishwasher when the door is open.
- Check that the detergent powder is empty after completion of the wash cycle.

- Do not wash plastic items unless they are marked “dishwasher safe” or the equivalent.
- For unmarked plastic items not so marked, check the manufacturer's recommendations.
- Use only detergent and rinse agents recommended for use in an automatic dishwasher.
- Never use soap, laundry detergent, or hand washing detergent in your dishwasher.
- The door should not be left open, since this could increase the risk of tripping.
If the supply cord is damaged, it must be replaced by the manufacturer or its service agent or a similarly qualified person in order to avoid a hazard.
- During installation, the power supply must not be excessively or dangerously bent or flattened.
- Do not tamper with controls.
- The appliance needs to be connected to the main water valve using new hose sets. Old sets should not be reused.
- To save energy, in stand by mode, the appliance will switch off automatically while there is no any operation in 15 minutes.
- The maximum number of place settings to be washed is 12.
- The maximum permissible inlet water pressure is 1MPa.
- The minimum permissible inlet water pressure is 0.04MPa.

Disposal

- For disposing of package and the appliance please go to a recycling center. Therefore cut off the power supply cable and make the door closing device unusable.

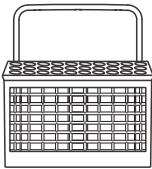
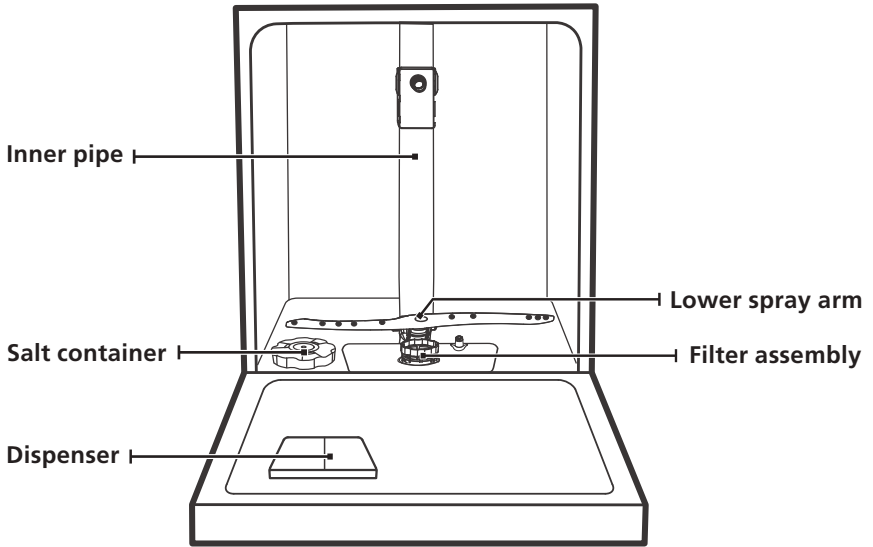


- Cardboard packaging is manufactured from recycled paper and should be disposed in the waste paper collection for recycling.
- By ensuring this product is disposed of correctly, you will help prevent potential negative consequences for the environment and human health, which could otherwise be caused by inappropriate waste handling of this product.
- For more detailed information about recycling of this product, please contact your local city office and your household waste disposal service.
- **DISPOSAL: Do not dispose this product as unsorted municipal waste. Collection of such waste separately for special treatment is necessary.**

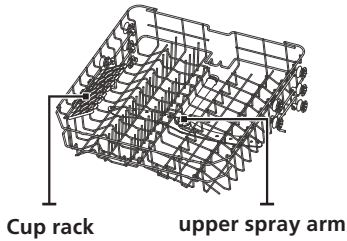
PRODUCT OVERVIEW

❗ IMPORTANT:

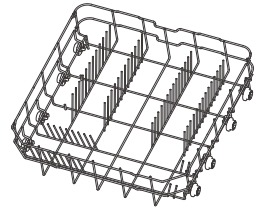
To get the best performance from your dishwasher, read all operating instructions before using it for the first time.



Cutlery basket



Upper basket



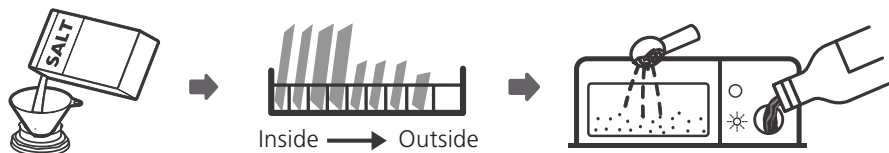
Lower basket

💡 NOTE:

Pictures are only for reference, different models may be different. Please prevail in kind.

USING YOUR DISHWASHER

Before using your dishwasher :



1. Set the water softener
2. Loading the salt into the softener
3. Loading the basket
4. Fill the dispenser



Please check the section 1 “Water Softener” of PART II : Special Version, if you need to set the water softener .

Loading The Salt Into The Softener

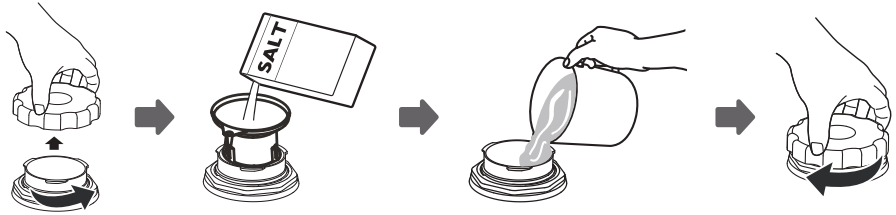
NOTE:

If your model does not have any water softener, you may skip this section. Always use salt intended for dishwasher use. The salt container is located beneath the lower basket and should be filled as explained in the following:

WARNING


- **Only use salt specifically designed for dishwashers use!**
Every other type of salt not specifically designed for dishwasher use, especially table salt, will damage the water softener. In case of damages caused by the use of unsuitable salt the manufacturer does not give any warranty nor is liable for any damages caused.
- **Only fill with salt before running a cycle.**
This will prevent any grains of salt or salty water, which may have been spilled, remaining on the bottom of the machine for any period of time, which may cause corrosion.

Please follow the steps below for adding dishwasher salt:



1. Remove the lower basket and unscrew the reservoir cap.
2. Place the end of the funnel (supplied) into the hole and pour in about 1.5kg of dishwasher salt.
3. Fill the salt container to its maximum limit with water, It is normal for a small amount of water to come out of the salt container.
4. After filling the container, screw back the cap tightly.
5. The salt warning light will stop being after the salt container has been filled with salt.
6. Immediately after filling the salt into the salt container, a washing program should be started (We suggest to use a short program). Otherwise the filter system, pump or other important parts of the machine may be damaged by salty water. This is out of warranty.

NOTE:

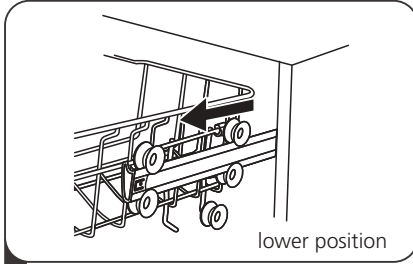
- The salt container must only be refilled when the salt warning light () in the control panel comes on. Depending on how well the salt dissolves, the salt warning light may still be on even though the salt container is filled. If there is no salt warning light in the control panel (for some Models), you can estimate when to fill the salt into the softener by the cycles that the dishwasher has run.
- If salt has spilled, run a soak or quick program to remove it.

Basket Used Tips

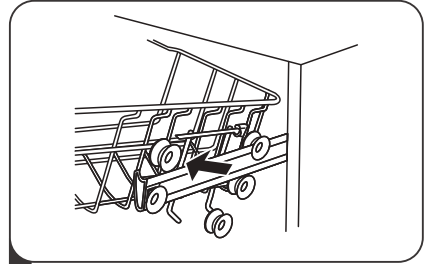
Adjusting the upper basket

The height of the upper basket can be easily adjusted to accommodate taller dishes in either the upper or lower basket.

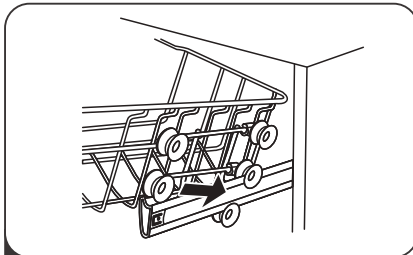
To adjust the height of the upper rack, follow these steps:



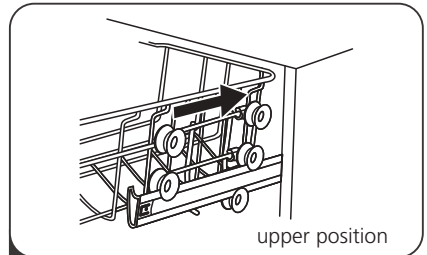
1 Pull out the upper basket.



2 Remove the upper basket.



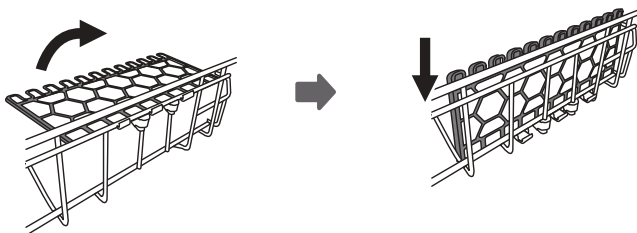
3 Re-attach the upper basket to upper or lower rollers.



4 Push in the upper basket.

Folding back the cup shelves

To make room for taller items in the upper basket, raise the cup rack upwards. You can then lean the tall glasses against it. You can also remove it when it is not required for use.



MAINTENANCE AND CLEANING

External Care

The door and the door seal

Clean the door seals regularly with a soft damp cloth to remove food deposits. When the dishwasher is being loaded, food and drink residues may drip onto the sides of the dishwasher door. These surfaces are outside the wash cabinet and are not accessed by water from the spray arms. Any deposits should be wiped off before the door is closed.

The control panel

If cleaning is required, the control panel should be wiped with a soft damp cloth only.

WARNING

- To avoid penetration of water into the door lock and electrical components, do not use a spray cleaner of any kind.
- Never use abrasive cleaners or scouring pads on the outer surfaces because they may scratch the finish. Some paper towels may also scratch or leave marks on the surface.

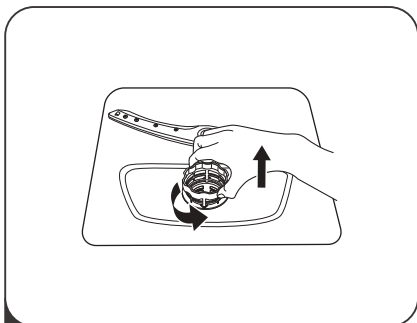
Internal Care

Filtering system

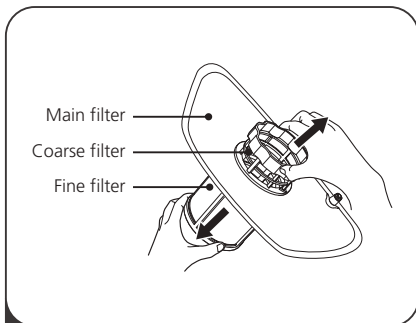
The filtering system in the base of the wash cabinet retains coarse debris from the washing cycle, including foreign objects such as tooth picks or shards. The collected coarse debris may cause the filters to clog. Check the condition of the filters regularly, carefully remove foreign objects and clean the parts of the filtering system if necessary with water. Follow the steps below to clean the filter.

NOTE:

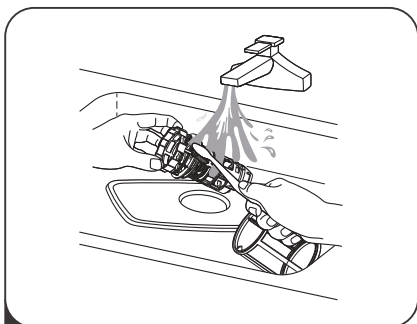
Pictures are only for reference, different models of the filtering system and spray arms may be different.



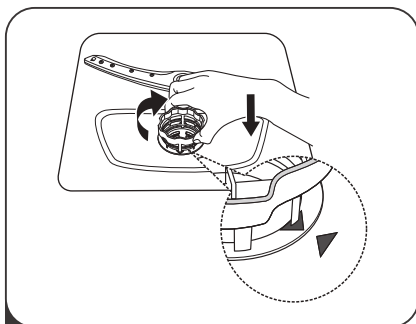
- 1** Hold the coarse filter and rotate it anticlockwise to unlock the filter. Lift the filter upwards and out of the dishwasher.



- 2** The fine filter can be pulled off the bottom of the filter assembly. The coarse filter can be detached from the main filter by gently squeezing the tabs at the top and pulling it away.



- 3** Larger food remnants can be cleaned by rinsing the filter under running water. For a more thorough clean, use a soft cleaning brush.



- 4** Reassemble the filters in the reverse order of the disassembly, replace the filter insert, and rotate clockwise to the close arrow.

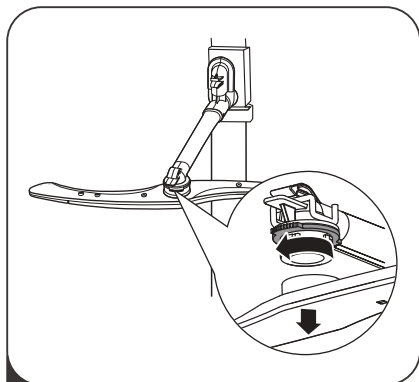
⚠ WARNING

- Do not over tighten the filters. Put the filters back in sequence securely, otherwise coarse debris could get into the system and cause a blockage.
- Never use the dishwasher without filters in place. Improper replacement of the filter may reduce the performance level of the appliance and damage dishes and utensils.

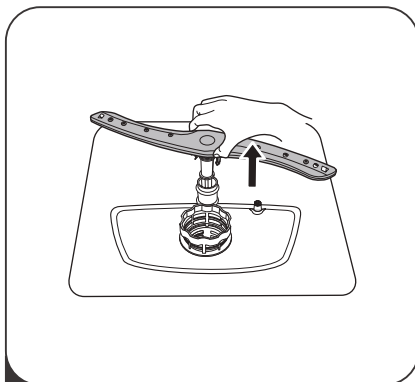
Spray arms

It is necessary to clean the spray arms regularly for hard water chemicals will clog the spray arm jets and bearings.

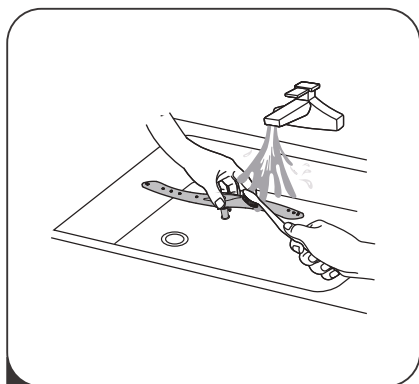
To clean the spray arms, follow the instructions below:



- 1** To remove the upper spray arm, hold the nut, rotate the arm clockwise to remove it.



- 2** To remove the lower spray arm, pull out the spray arm upward.



- 3** Wash the arms in soapy and warm water and use a soft brush to clean the jets. Replace them after rinsing them thoroughly.

Caring For The Dishwasher

Frost precaution

Please take frost protection measures on the dishwasher in winter. Every time after washing cycles, please operate as follows:

1. Cut off the electrical power to the dishwasher at the supply source.
2. Turn off the water supply and disconnect the water inlet pipe from the water valve.
3. Drain the water from the inlet pipe and water valve. (Use a pan to gather the water)
4. Reconnect the water inlet pipe to the water valve.
5. Remove the filter at the bottom of the tub and use a sponge to soak up water in the sump.

After every wash

After every wash, turn off the water supply to the appliance and leave the door slightly open so that moisture and odors are not trapped inside.

Remove the plug

Before cleaning or performing maintenance, always remove the plug from the socket.

No solvents or abrasive cleaning

To clean the exterior and rubber parts of the dishwasher, do not use solvents or abrasive cleaning products. Only use a cloth with warm soapy water.

To remove spots or stains from the surface of the interior, use a cloth dampened with water and a little vinegar, or a cleaning product made specifically for dishwashers.

When not in use for a longtime

It is recommended that you run a wash cycle with the dishwasher empty and then remove the plug from the socket, turn off the water supply and leave the door of the appliance slightly open. This will help the door seals to last longer and prevent odors from forming within the appliance.

Moving the appliance

If the appliance must be moved, try to keep it in the vertical position. If absolutely necessary, it can be positioned on its back.

Seals

One of the factors that cause odours to form in the dishwasher is food that remains trapped in the seals. Periodic cleaning with a damp sponge will prevent this from occurring.

INSTALLATION INSTRUCTION

⚠ WARNING



Electrical Shock Hazard

Disconnect electrical power before installing dishwasher.
Failure to do so could result in death or electrical shock.

⚠ Attention

The installation of the pipes and electrical equipments should be done by professionals.

About Power Connection

⚠ WARNING

For personal safety:

- Do not use an extension cord or an adapter plug with this appliance.
- Do not, under any circumstances, cut or remove the earthing connection from the power cord.

Electrical requirements

Please look at the rating label to know the rating voltage and connect the dishwasher to the appropriate power supply. Use the required fuse 10A/13A/16A, time delay fuse or circuit breaker recommended and provide separate circuit serving only this appliance.

Electrical connection

Ensure the voltage and frequency of the power being corresponds to those on the rating plate. Only insert the plug into an electrical socket which is earthed properly. If the electrical socket to which the appliance must be connected is not appropriate for the plug, replace the socket, rather than using a adaptors or the like as they could cause overheating and burns.

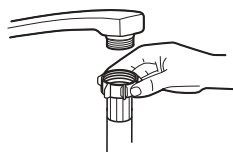
⚠ Ensure that proper earthing exists before use

Water Supply And Drain

Cold water connection

Connect the cold water supply hose to a threaded 3/4(inch) connector and make sure that it is fastened tightly in place.

If the water pipes are new or have not been used for an extended period of time, let the water run to make sure that the water is clear. This precaution is needed to avoid the risk of the water inlet to be blocked and damage the appliance.



ordinary supply hose



safety supply hose

About the safety supply hose

The safety supply hose consists of the double walls. The hose's system guarantees its intervention by blocking the flow of water in case of the supply hose breaking and when the air space between the supply hose itself and the outer corrugated hose is full of water.

⚠ WARNING

A hose that attaches to a sink spray can burst if it is installed on the same water line as the dishwasher. If your sink has one, it is recommended that the hose be disconnected and the hole plugged.

How to connect the safety supply hose

1. Pull The safety supply hoses completely out from storage compartment located at rear of dishwasher.
2. Tighter the screws of the safety supply hose to the faucet with thread 3/4inch.
3. Turn water fully on before starting the dishwasher.

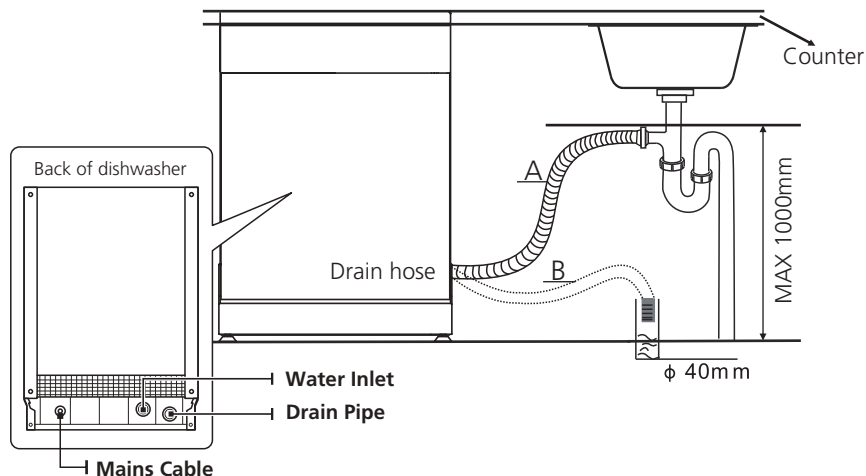
How to disconnect the safety supply hose

1. Turn off the water.
2. Unscrew the safety supply hose from the faucet.

Connection Of Drain Hoses

Insert the drain hose into a drain pipe with a minimum diameter of 4 cm, or let it run into the sink, making sure to avoid bending or crimping it. The height of drain pipe must be less than 1000mm. The free end of the hose must not be immersed in water to avoid the back flow of it.

⚠ Please securely fix the drain hose in either position A or position B



How to drain excess water from hoses

If the sink is 1000 higher from the floor, the excess water in hoses cannot be drained directly into the sink. It will be necessary to drain excess water from hoses into a bowl or suitable container that is held outside and lower than the sink.

Water outlet

Connect the water drain hose. The drain hose must be correctly fitted to avoid water leaks. Ensure that the water drain hose is not kinked or squashed.

Extension hose

If you need a drain hose extension, make sure to use a similar drain hose. It must be no longer than 4 meters; otherwise the cleaning effect of the dishwasher could be reduced.

Syphon connection

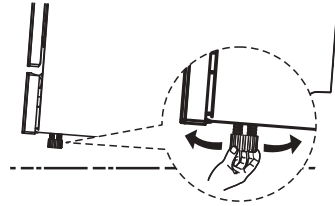
The waste connection must be at a height less than 100 cm (maximum) from the bottom of the dish. The water drain hose should be fixed .

Position The Appliance

Position the appliance in the desired location. The back should rest against the wall behind it, and the sides, along the adjacent cabinets or walls. The dishwasher is equipped with water supply and drain hoses that can be positioned either to the right or the left sides to facilitate proper installation.

Levelling the appliance

Once the appliance is positioned for levelling, the height of the dishwasher may be altered via adjustment of the screwing level of the feet. In any case, the appliance should not be inclined more than 2°.



NOTE:

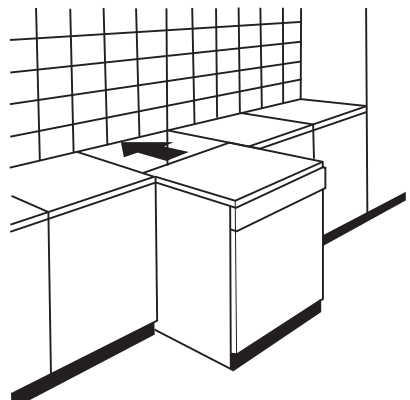
Only apply to the free standing dishwasher.

Free Standing Installation

Fitting between existing carbinets

The height of the dishwasher, 845 mm, has been designed in order to allow the machine to be fitted between existing cabinets of the same height in modern fitted kitchens. The feet can be adjusted so that correct height is reached.

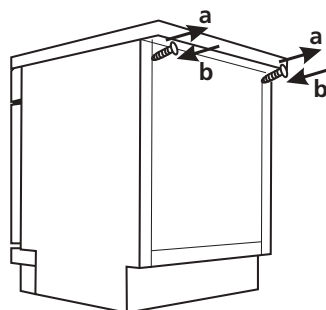
The laminated top of the machine does not require any particular care since it is heatproof, scratchproof and stainproof.



Underneath existing work top

(When fitting beneath a work top)

In most modern fitted kitchens there is only one single work top under which cabinets and electrical appliances are fitted. In this case remove the work top of the dishwasher by unscrewing the screws under the rear edge of the top (a).



⚠ Attention

After removing the work top, the screws must be screwed again under the rear edge of the top (b).

The height will then be reduced to 815 mm, as scheduled by the International Regulations (ISO) and the dishwasher will fit perfectly under the kitchen working top

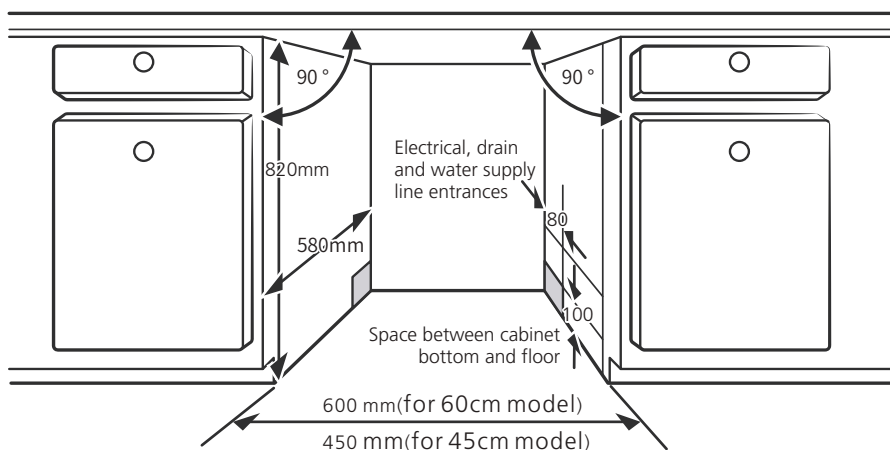
• Built-In Installation (for the integrated model)

Step 1. Selecting the best location for the dishwasher

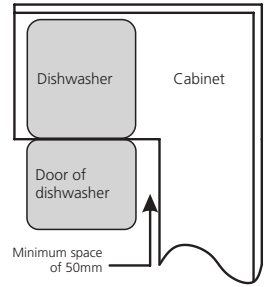
The installation position of dishwasher should be near the existing inlet and drain hoses and power cord.

Illustrations of cabinet dimensions and installation position of the dishwasher.

1. Less than 5 mm between the top of dishwasher and cabinet and the outer door aligned to cabinet.



- If dishwasher is installed at the corner of the cabinet, there should be some space when the door is opened.



NOTE:

Depending on where your electrical outlet is, you may need to cut a hole in the opposite cabinet side.

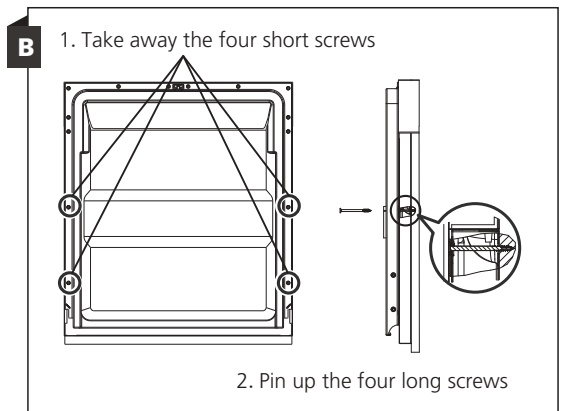
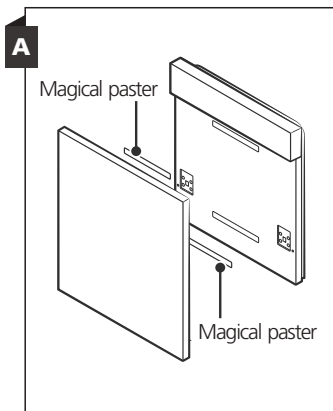
Step 2. Aesthetic panel's dimensions and installation



The aesthetic wooden panel could be processed according to the installation drawings.

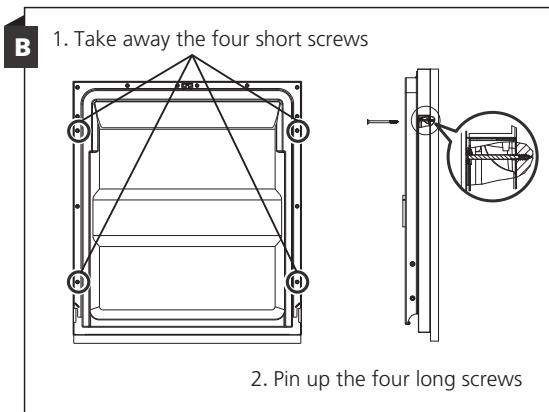
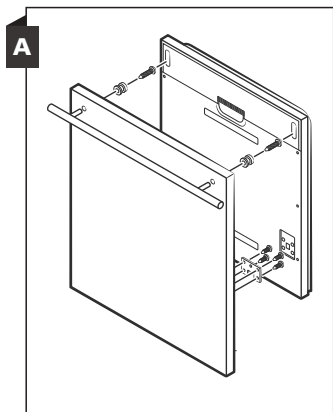
Semi-integrated model

Magical paster A and magical paster B be disjoined on ,magical paster A on the aesthetic wooden panel and felted magical paster B of the outer door of dishwasher (see figure A). After positioning of the panel , fix the panel onto the outer door by screws and bolts (See figure B).



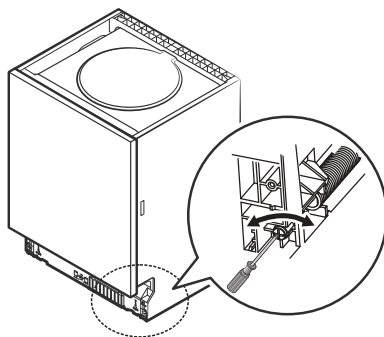
Full-integrated model

Install the hook on the aesthetic wooden panel and put the hook into the slot of the outer door of dishwasher (see figure A). After positioning of the panel, fix the panel onto the outer door by screws and bolts (See figure B).



Step 3. Tension adjustment of the door spring

1. The door springs are set at the factory to the proper tension for the outer door. If aesthetic wooden panels are installed, you will have to adjust the door spring tension. Rotate the adjusting screw to drive the adjuster to strain or relax the steel cable.
2. Door spring tension is correct when the door remains horizontal in the fully opened position, yet rises to a close with the slight lift of a finger.

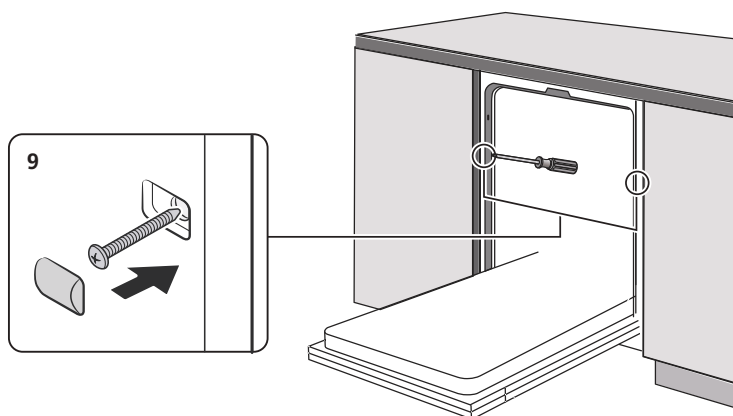


Step 4. Dishwasher installation steps



Please refer to the specified installation steps in the installation drawings.

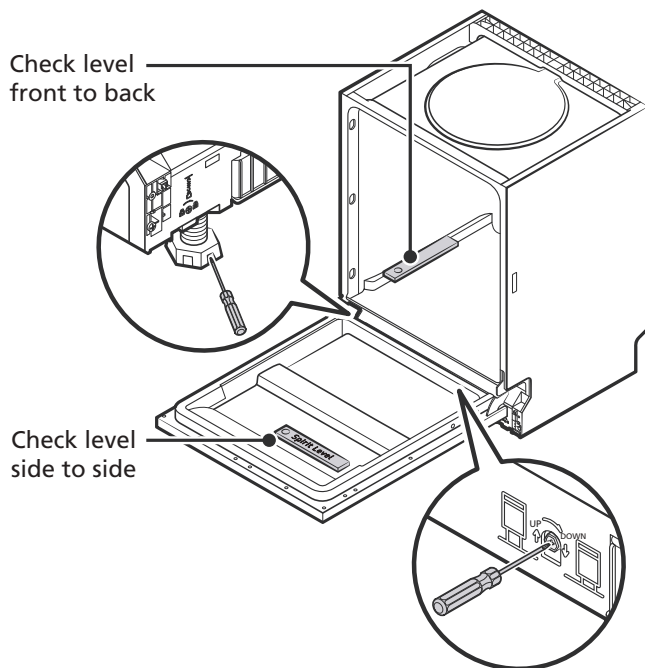
1. Affix the condensation strip under the work surface of cabinet. Please ensure the condensation strip is flush with edge of work surface. (Step 2)
2. Connect the inlet hose to the cold water supply.
3. Connect the drain hose.
4. Connect the power cord.
5. Place the dishwasher into position. (Step 4)
6. Level the dishwasher. The rear foot can be adjusted from the front of the dishwasher by turning the Philips screw in the middle of the base of dishwasher use an Philips screw. To adjust the front feet, use a flat screw driver and turn the front feet until the dishwasher is level. (Step 5 to Step 6)
7. Install the furniture door to the outer door of the dishwasher. (Step 7 to Step 10)
8. Adjust the tension of the door springs by using an Allen key turning in a clockwise motion to tighten the left and right door springs. Failure to do this could cause damage to your dishwasher. (Step 11)
9. The dishwasher must be secured in place. Fix the side with screws.



Step 5. Levelling the dishwasher

Dishwasher must be level for proper dish rack operation and wash performance.

1. Place a spirit level on door and rack track inside the tub as shown to check that the dishwasher is level.
2. Level the dishwasher by adjusting the three levelling legs individually.
3. When level the dishwasher, please pay attention not to let the dishwasher tip over.



NOTE:

The maximum adjustment height of the feet is 50 mm.

TROUBLESHOOTING TIPS

Before Calling For Service

Reviewing the charts on the following pages may save you from calling for service.

Problem	Possible Causes	What To Do
Dishwasher doesn't start	Fuse blown, or the circuit break tripped.	Replace fuse or reset circuit breaker. Remove any other appliances sharing the same circuit with the dishwasher.
	Power supply is not turned on.	Make sure the dishwasher is turned on and the door is closed securely. Make sure the power cord is properly plugged into the wall socket.
	Water pressure is low	Check that the water supply is connected properly and the water is turned on.
	Door of dishwasher not properly closed.	Make sure to close the door properly and latch it.
Water not pumped form dishwasher	Twisted or trapped drain hose.	Check the drain hose.
	Filter clogged.	Check coarse the filter.
	Kitchen sink clogged.	Check the kitchen sink to make sure it is draining well. If the problem is the kitchen sink that is not draining , you may need a plumber rather than a serviceman for dishwashers.
Suds in the tub	Wrong detergent.	Use only the special dishwasher detergent to avoid suds. If this occurs, open the dishwasher and let suds evaporate. Add 1 gallon of cold water to the bottom of the dishwasher. Close the dishwasher door, then select any cycle. Initially, the dishwasher will drain out the water. Open the door after draining stage is complete and check if the suds have disappeared. Repeat if necessary.

Problem	Possible Causes	What To Do
	Spilled rinse-aid.	Always wipe up rinse-aid spills immediately.
Stained tub interior	Detergent with colourant may have been used.	Make sure that the detergent has no colourant.
White film on inside surface	Hard water minerals.	To clean the interior, use a damp sponge with dishwasher detergent and wear rubber gloves. Never use any other cleaner than dishwasher detergent otherwise, it may cause foaming or suds.
There are rust stains on cutlery	The affected items are not corrosion resistant.	Avoid washing items that are not corrosion resistant in the dishwasher.
	A program was not run after dishwasher salt was added. Traces of salt have gotten into the wash cycle.	Always run a wash program without any crockery after adding salt. Do not select the Turbo function (if present), after adding dishwasher salt.
	The lid of the softer is loose.	Check the softener lid is secure.
Knocking noise in the dishwasher	A spray arm is knocking against an item in a basket	Interrupt the program and rearrange the items which are obstructing the spray arm.
Rattling noise in the dishwasher	Items of crockery are loose in the dishwasher.	Interrupt the program and rearrange the items of crockery.
Knocking noise in the water pipes	This may be caused by on-site installation or the cross-section of the piping.	This has no influence on the dishwasher function. If in doubt, contact a qualified plumber.
The dishes are not clean	The dishes were not loaded correctly.	See PART II "Preparing And Loading Dishes".
	The program was not powerful enough.	Select a more intensive program.

Problem	Possible Causes	What To Do
The dishes are not clean.	Not enough detergent was dispensed.	Use more detergent, or change your detergent.
	Items are blocking the movement of the spray arms.	Rearrange the items so that the spray can rotate freely.
	The filter combination is not clean or is not correctly fitted in the base of wash cabinet. This may cause the spray arm jets to get blocked.	Clean and/or fit the filter correctly. Clean the spray arm jets.
Cloudiness on glassware.	Combination of soft water and too much detergent.	Use less detergent if you have soft water and select a shorter cycle to wash the glassware and to get them clean.
White spots appear on dishes and glasses.	Hard water area can cause limescale deposits.	Add more detergent.
Black or grey marks on dishes	Aluminium utensils have rubbed against dishes	Use a mild abrasive cleaner to eliminate those marks.
Detergent left in dispenser	Dishes block detergent dispenser	Re-loading the dishes properly.
The dishes aren't drying	Improper loading	Load the dishwasher as suggested in the directions.
	Dishes are removed too soon	Do not empty your dishwasher immediately after washing. Open the door slightly so that the steam can come out. Take out the dishes until the inside temperature is safe to touch. Unload the lower basket first to prevent the dropping water from the upper basket.

Problem	Possible Causes	What To Do
The dishes aren't drying	Wrong program has been selected.	With a short program, the washing temperature is lower, decreasing cleaning performance. Choose a program with a long washing time.
	Use of cutlery with a low-quality coating.	Water drainage is more difficult with these items. Cutlery or dishes of this type are not suitable for washing in the dishwasher.

WARNING

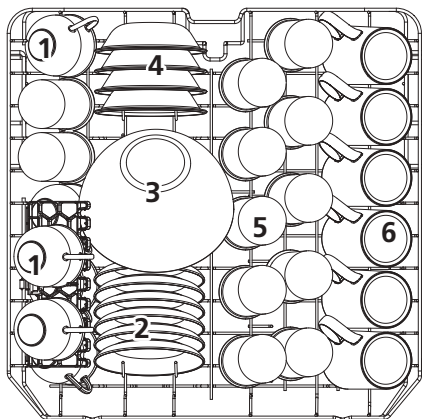
Self-repair or non-professional repair may cause serious risks to the safety of the user of the appliance and impact warranty.

Availability Of Spare Parts

- Seven years after placing the last unit of the model on the market:**
 Motor, circulation and drain pump, heaters and heating elements, including heat pumps (separately or bundled), piping and related equipment including all hoses, valves, filters and aqua stops, structural and interior parts related to door assemblies (separately or bundled), printed circuit boards, electronic displays, pressure switches, thermostats and sensors, software and firmware including reset software.
- Ten years after placing the last unit of the model on the market:**
 Door hinge and seals, other seals, spray arms, drain filters, interior racks and plastic peripherals such as baskets and lids.

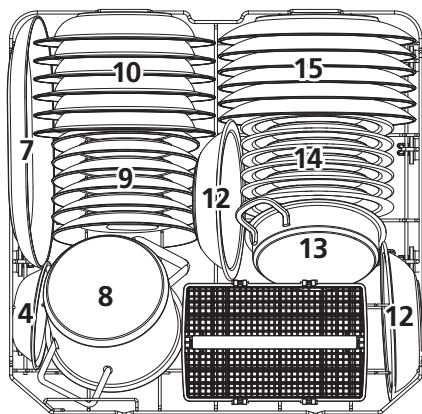
LOADING THE BASKETS ACCORDING TO EN60436:

1.Upper basket:



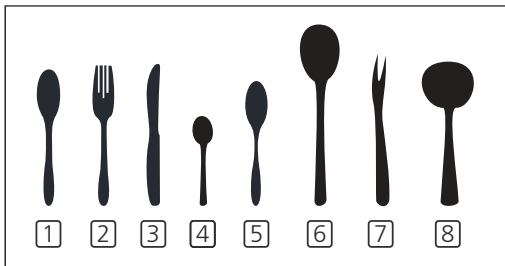
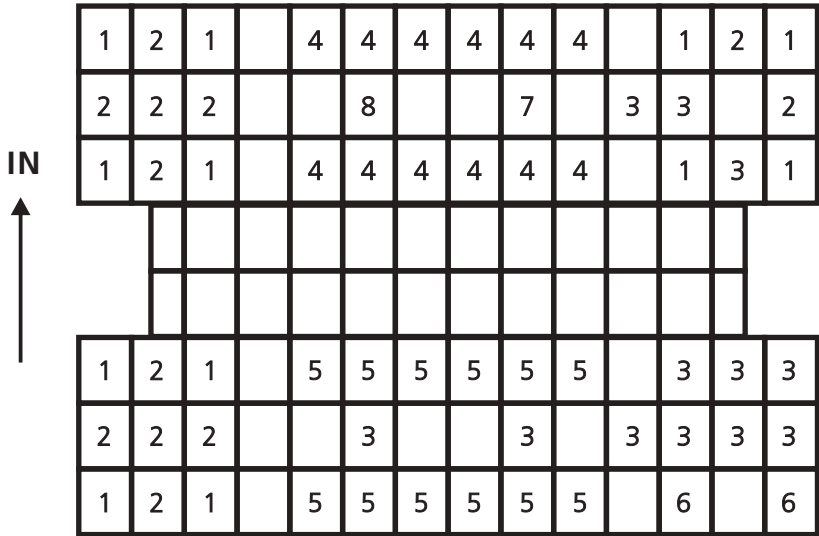
Number	Item
1	Cups
2	Saucers
3	Glass bowl
4	Dessert bowls
5	Glasses
6	Mugs

2.Lower basket:



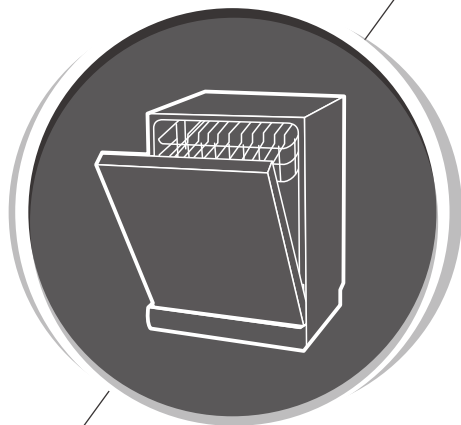
Number	Item
7	Oval platter
8	Small pot
9	Dessert plates
10	Soup plates
11	Cutlery basket
12	Melamine bowls
13	Oven pot
14	Melamine dessert plates
15	Dinner plates

3.Cutlery basket:



Number	Item
1	Soup spoons
2	Forks
3	Knives
4	Teaspoons
5	Dessert spoons
6	Serving spoons
7	Serving forks
8	Gravy ladles

Information for comparability tests in accordance with EN60436
 Capacity: 12 place settings
 Position of the upper basket: lower position
 Program: ECO
 Rinse aid setting: Max
 Softener setting: H3



Dishwasher Instruction Manual

PART II: Special Version

E-CLVM6419W

E-CLVM6419X

Corberō

Please read this manual carefully
before using the dishwasher and
Keep this manual for future reference.

CONTENTS

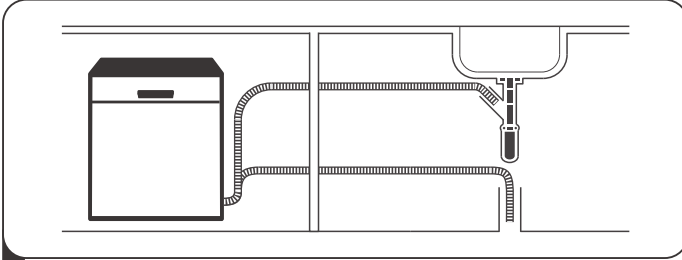
01	4	USING YOUR DISHWASHER
	4	Control Panel
	6	Water Softener
	7	Preparing And Loading Dishes
	10	Function Of The Rinse Aid And Detergent
02	11	Filling The Rinse Aid Reservoir
	12	Filling The Detergent Dispenser
	13	PROGRAMMING THE DISHWASHER
	13	Wash Cycle Table
	14	Saving Energy
03	14	Starting A Cycle Wash
	14	Changing The Program Mid-cycle
	15	Forget To Add A Dish?
04	16	ERROR CODES
	17	TECHNICAL INFORMATION

NOTE:

- If you cannot solve the problems by yourself, please ask for help from a professional technician.
- The manufacturer, following a policy of constant development and updating of the product, may make modifications without giving prior notice.
- If lost or out-of-date, you can receive a new user manual from the manufacturer or responsible vendor.

QUICK USER GUIDE

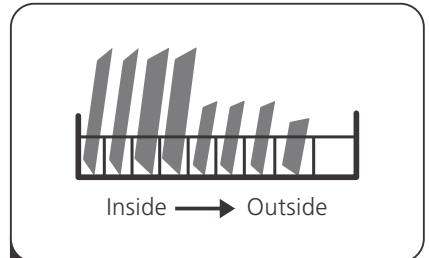
Please read the corresponding content on the instruction manual for detailed operating method.



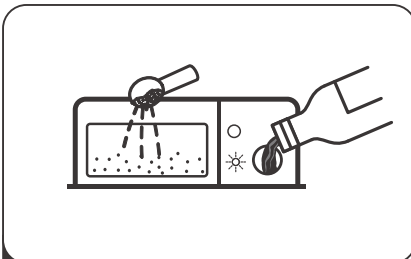
- 1 Install the dishwasher
(Please check the section 5 "INSTALLATION INSTRUCTION" of PART I : Generic Version.)



- 2 Removing the larger residue on the cutlery



- 3 Loading the baskets



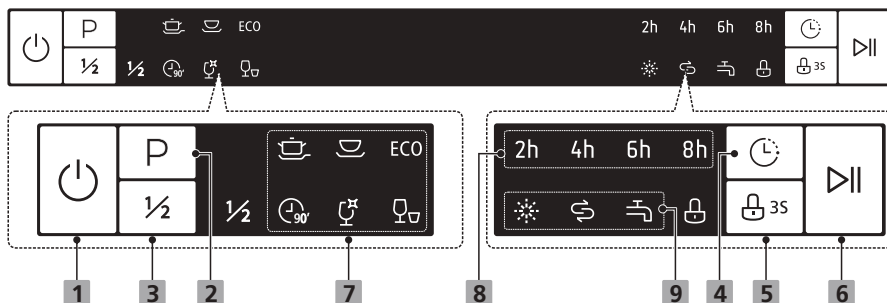
- 4 Filling the dispenser



- 5 Selecting a program and running the dishwasher

USING YOUR DISHWASHER









Control Panel



Operation (Button)

1 Power	Press this button to turn on your dishwasher.
2 Program	Select the appropriate washing program, the selected program indicator will be lit.
3 Half-load	When you have about or less than 6 place setting dishware to wash, you can choose this function to save energy and water. (It can only be used with Intensive, Universal, ECO, 90 min.)
4 Delay	Press the button to set the delay time, corresponding indicator will be lit.
5 Child lock	This option allows you to lock the buttons on the control panel, except the Power button, so children cannot accidentally start the dishwasher by pressing the buttons on the panel. To lock or unlock the buttons on the control panel, hold the button for 3 seconds.
6 Start/Pause	To start the selected washing program or pause it when the dishwasher is working.

Display

<p>7 Program indicator</p>	<p> Intensive For heaviest soiled crockery, and normally soiled pots, pans, dishes etc. With dried-on food.</p> <p> Universal For normally soiled loads, such as pots, plates, glasses and lightly soiled pans.</p> <p>ECO ECO This is standard program, it is suitable to clean normally soiled tableware and it is the most efficient program in terms of its combined energy and water consumption for that type of tableware.</p> <p> 90 min For normally soiled loads that need quick wash.</p> <p> Glass For lightly soiled crockery and glass.</p> <p> Rapid A shorter wash for lightly soiled loads that do not need drying.</p>
<p>8 Delay time</p>	<p>To show the delay time (2h/4h/6h/8h).</p>
<p>9 Warning indicator</p>	<p> Rinse Aid If the " ☼ " indicator is lit, it means the dishwasher is low on dishwasher rinse aid and requires a refill.</p> <p> Salt If the " ⚗ " indicator is lit, it means the dishwasher is low on dishwasher salt and needs to be refilled.</p> <p> Water Faucet If the " 🚰 " indicator is lit, it means the water faucet closed.</p>

Water Softener

The water softener must be set manually, using the water hardness dial.

The water softener is designed to remove minerals and salts from the water, which would have a detrimental or adverse effect on the operation of the appliance.

The more minerals there are, the harder your water is.

The softener should be adjusted according to the hardness of the water in your area. Your local Water Authority can advise you on the hardness of the water in your area.

Adjusting salt consumption

The dishwasher is designed to allow for adjustment in the amount of salt consumed based on the hardness of the water used. This is intended to optimise and customise the level of salt consumption.

Please follow the steps below for adjustment in salt consumption.

1. **Close** the door, **switch** on the appliance;
2. **Within 60 seconds after the appliance was switched on press the program button for more than 5 seconds to enter the water softener setting mode.**
3. Press the **program button** again to select the proper set according to your local environment, the **setting** will change in the following sequence:
H1->H2->H3->H4->H5->H6;
4. Press the Power button to end the **setting mode**.

WATER HARDNESS				Water softner level	Regeneration occurs every X program sequence 1)	Salt consumption (gram/cycle)
German °dH	French °fH	British °Clarke	Mmol/l			
0 - 5	0 - 9	0 - 6	0 - 0.94	H1->Rapid Light bright	No regeneration	0
6 - 11	10 - 20	7 - 14	1.0 - 2.0	H2->Glass Light bright	10	9
12 - 17	21 - 30	15 - 21	2.1 - 3.0	H3->Glass, Rapid Light bright	5	12
18 - 22	31 - 40	22 - 28	3.1 - 4.0	H4->90 min Light bright	3	20
23 - 34	41 - 60	29 - 42	4.1 - 6.0	H5->90 min, Rapid Light bright	2	30
35 - 55	61 - 98	43 - 69	6.1 - 9.8	H6->90 min, Glass Light bright	1	60

1°dH=1.25 °Clarke=1.78 °fH=0.178mmol/l

The **factory** setting: H3

- 1) Every cycle with a regeneration operation consumes additional 2.0 litres of water, the energy consumption increases by 0.02 kWh and the program extends by 4 minutes.



Please check the section 3 “Loading The Salt Into The Softener” of PART I : Generic Version, If your dishwasher lacks salt.



NOTE:

If your model does not have any water softener, you may skip this section.

Water Softener

The hardness of the water varies from place to place. If hard water is used in the dishwasher, deposits will form on the dishes and utensils.

The appliance is equipped with a special softener that uses a salt container specifically designed to eliminate lime and minerals from the water.

Preparing And Loading Dishes

- Consider buying utensils which are identified as dishwasher-proof.
- For particular items, select a program with the lowest possible temperature.
- To prevent damage, do not take glass and cutlery out of the dishwasher immediately after the program has ended.

For washing the following cutlery/dishes

Are not suitable

- Cutlery with wooden, horn china or mother-of-pearl handles
- Plastic items that are not heat resistant
- Older cutlery with glued parts that are not temperature resistant
- Bonded cutlery items or dishes
- Pewter or cooper items
- Crystal glass
- Steel items subject to rusting
- Wooden platters
- Items made from synthetic fibres

Are of limited suitability

- Some types of glasses can become dull after a large number of washes
- Silver and aluminum parts have a tendency to discolor during washing
- Glazed patterns may fade if machine washed frequently

Recommendations for loading the dishwasher

Scrape off any large amounts of leftover food. Soften remnants of burnt food in pans. It is not necessary to rinse the dishes under running water.

For best performance of the dishwasher, follow these loading guidelines.

(Features and appearance of baskets and cutlery baskets may vary from your model.)

Place objects in the dishwasher in following way:

- Items such as cups, glasses, pots/pans, etc. are faced downwards.
- Curved items, or ones with recesses, should be loaded aslant so that water can run off.
- All utensils are stacked securely and can not tip over.
- All utensils are placed in the way that the spray arms can rotate freely during washing.
- Load hollow items such as cups, glasses, pans etc. With the opening facing downwards so that water cannot collect in the container or a deep base.
- Dishes and items of cutlery must not lie inside one another, or cover each other.
- To avoid damage, glasses should not touch one another.
- The upper basket is designed to hold more delicate and lighter dishware such as glasses, coffee and tea cups.
- Long bladed knives stored in an upright position are a potential hazard!
- Long and / or sharp items of cutlery such as carving knives must be positioned horizontally in the upper basket.
- Please do not overload your dishwasher. This is important for good results and for reasonable consumption of energy.

NOTE:

Very small items should not be washed in the dishwasher as they could easily fall out of the basket.

Removing the dishes

To prevent water dripping from the upper basket into the lower basket, we recommend that you empty the lower basket first, followed by the upper basket.

WARNING



Items will be hot! To prevent damage, do not take glass and cutlery out of the dishwasher for around 15 minutes after the program has ended.

Loading the upper basket

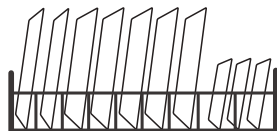
The upper basket is designed to hold more delicate and lighter dishware such as glasses, coffee and tea cups and saucers, as well as plates, small bowls and shallow pans (as long as they are not too dirty). Position the dishes and cookware so that they will not get moved by the spray of water.



Loading the lower basket

We suggest that you place large items and the most difficult to clean items are to be placed into the lower basket: such as pots, pans, lids, serving dishes and bowls, as shown in the figure below. It is preferable to place serving dishes and lids on the side of the racks in order to avoid blocking the rotation of the top spray arm.

The maximum diameter advised for plates in front of the detergent dispenser is of 19 cm, this not to hamper the opening of it.



Loading the cutlery basket

Cutlery should be placed in the cutlery basket separate from each other in the appropriate positions. Avoid nesting of the cutlery to prevent insufficient cleaning performance.

⚠ WARNING



Do not let any item extend through the bottom.
Always load sharp utensils with the sharp point down!



For the best washing effect, please load the baskets refer to standard loading options on last section of PART I : Generic Version


Function Of The Rinse Aid And Detergent

The rinse aid is released during the final rinse to prevent water from forming droplets on your dishes, which can leave spots and streaks. It also improves drying by allowing water to roll off the dishes. Your dishwasher is designed to use liquid rinse aids.

⚠ WARNING

Only use branded rinse aid for dishwasher. Never fill the rinse aid dispenser with any other substances (e.g. Dishwasher cleaning agent, liquid detergent). This would damage the appliance.

When to refill the rinse aid dispenser

Unless the rinse-aid warning light () on the control panel is on, you can always estimate the amount from the color of the optical level indicator located next to the cap. When the rinse-aid container is full, the indicator will be fully dark. The size of the dark dot decreases as the rinse-aid diminishes. You should never let the rinse aid level be less than 1/4 full.

As the rinse aid diminishes, the size of the black dot on the rinse aid level indicator changes, as illustrated below.

Full 3/4 full 1/2 full 1/4 full Empty

Function of detergent

The chemical ingredients that compose the detergent are necessary to remove, crush and dispense all dirt out of the dishwasher. Most of the commercial quality detergents are suitable for this purpose.

⚠ WARNING

- Proper Use of Detergent

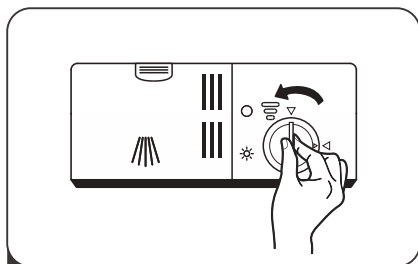
Use only detergent specifically made for dishwashers use. Keep your detergent fresh and dry.

Don't put powdered detergent into the dispenser until you are ready to wash dishes.

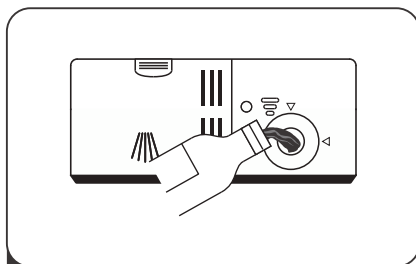


Dishwasher detergent is corrosive! Keep dishwasher detergent out of the reach of children.

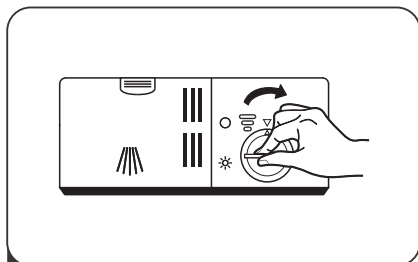
Filling The Rinse Aid Reservoir



- 1** Remove the rinse aid reservoir cap by rotating it counterclockwise.



- 2** Carefully pour in the rinse-aid into its dispenser, whilst avoiding it to overflow.

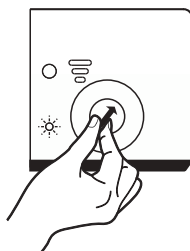


- 3** Close the rinse aid reservoir cap by rotating it clockwise.

NOTE:

Clean up any spilled rinse aid with an absorbent cloth to avoid excessive foaming during the next wash.

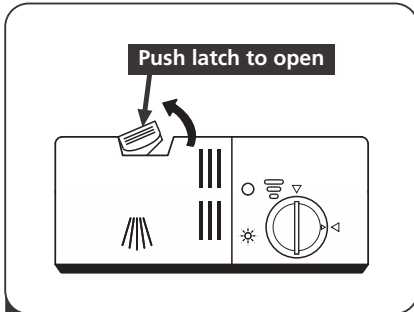
Adjusting the rinse aid reservoir



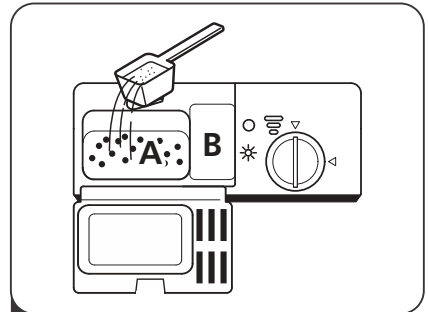
Turn the rinse aid indicator dial to a number. The higher the number, the more rinse aid the dishwasher uses.

If the dishes are not drying properly or are spotted, adjust the dial to the next higher number until your dishes are spot-free. Reduce it if there are sticky whitish stains on your dishes or a bluish film on glassware or knife blades.

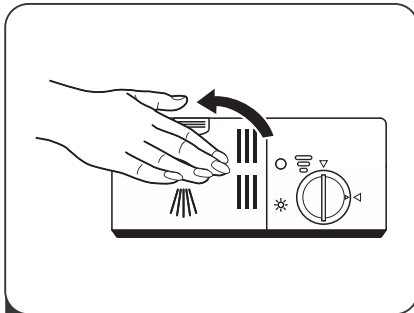
Filling The Detergent Dispenser



1 Press the release catch on the detergent dispenser to open the cover.



2 Add detergent into the larger cavity (A) for the main wash cycle .
For more heavily soiled wash loads, also add some detergent into the smaller cavity (B) for the pre-wash cycle .



3 Close the cover and press on it until it locks into place.






NOTE:


- Be aware that depending on the soiling of water, setting may be different.
- Please observe the manufacturer's recommendations on the detergent packaging.

Wash Cycle Table

The table below shows which programs are best for the levels of food residue on them and how much detergent is needed. It also show various information about the programs. Consumption values and program duration are only indicative except for ECO program.

(●) indicates that the program uses rinse aid in the last rinse.

Program	Description Of Cycle	Detergent Pre/Main Wash	Running Time(min)	Energy (kWh)	Water (L)	Rinse Aid
 Intensive	Pre-wash(50°C) Wash(65°C) Rinse Rinse Rinse(65°C) Drying	$\frac{4/16g}{(1 \text{ or } 2 \text{ tabs})}$	205	1.621	17.8	●
 Universal	Pre-wash(45°C) Wash(55°C) Rinse Rinse(65°C) Drying	$\frac{4/16g}{(1 \text{ or } 2 \text{ tabs})}$	175	1.302	14.2	●
ECO (*EN60436)	Pre-wash Wash(45°C) Rinse(60°C) Drying	$\frac{4/16g}{(1 \text{ or } 2 \text{ tabs})}$	230	0.923	11.0	●
 Glass	Pre-wash Wash(50°C) Rinse Rinse(65°C) Drying	$\frac{4/16g}{(1 \text{ or } 2 \text{ tabs})}$	120	1.100	14.2	●
 90 min	Wash(60°C) Rinse Rinse(65°C) Drying	$\frac{20g}{(1 \text{ tab})}$	90	1.350	11.5	●
 Rapid	Wash(50°C) Rinse Rinse(45°C)	$\frac{20g}{(1 \text{ or } 2 \text{ tabs})}$	30	0.751	11.2	○

 **NOTE:** The ECO program is suitable to clean normally soiled tableware, that for this use, it is the most efficient program in terms of its combined energy and water consumption, and it is used to assess compliance with the EU ecodesign legislation.

Saving Energy

1. Pre-rinsing of tableware items leads to increased water and energy consumption and is not recommended.
2. Washing tableware in a household dishwasher usually consumes less energy and water in the use phase than hand dishwashing when the household dishwasher is used according to the instructions.

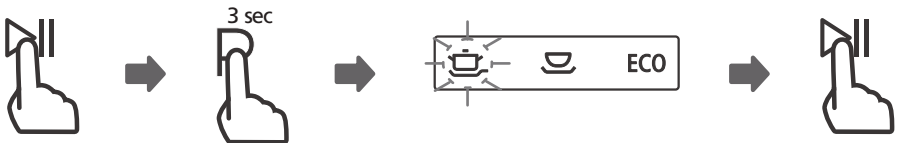
Starting A Cycle Wash

1. Draw out the lower and upper basket, load the dishes and push them back. It is commended to load the lower basket first, then the upper one.
2. Pour in the detergent.
3. Insert the plug into the socket. The power supply refer to last page "Product fiche". Make sure that the water supply is turned on to full pressure.
4. Close the door, press the Power button, to switch on the machine.
5. Choose a program, the response light will turn on. Then press the Start/Pause button, the dishwasher will start its cycle.

Changing The Program Mid-cycle

A wash cycle can only be changed if it has been running for a short time otherwise, the detergent may have already been released and the dishwasher may have already drained the wash water. If this is the case, the dishwasher needs to be reset and the detergent dispenser must be refilled. To reset the dishwasher, follow the instructions below:

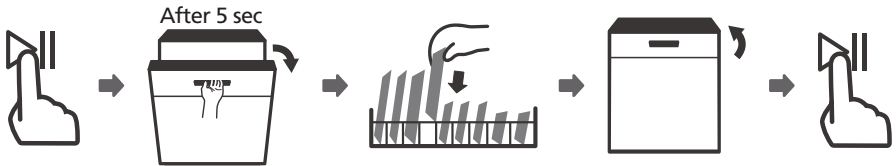
1. Press the Start/Pause button to pause the washing.
2. Press Program button for more than 3 seconds - the program will cancel.
3. Press the Program button to select the desired program.
4. Press the Start/Pause button, after 10 seconds, the dishwasher will start.



• Forget To Add A Dish?

A forgotten dish can be added any time before the detergent dispenser opens. If this is the case, follow the instructions below:

1. Press the Start/Pause button to pause the washing.
2. Wait 5 seconds then open the door.
3. Add the forgotten dishes.
4. Close the door.
5. Press the Start/Pause button after 10 seconds, the dishwasher will start.



⚠ WARNING



It is dangerous to open the door mid-cycle, as hot steam may scald you.

ERROR CODES

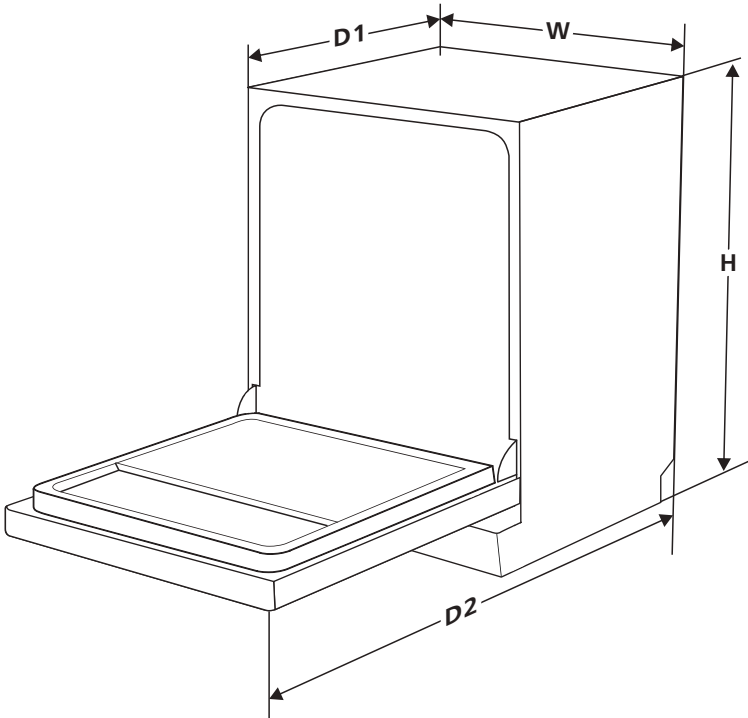
If there is a malfunction, the dishwasher will display error codes to identify these:

Codes	Meanings	Possible Causes
The Rapid light flicker fleetly	Longer inlet time.	Faucets is not opened, or water intake is restricted, or water pressure is too low.
The Glass and Rapid light flicker fleetly	Not reaching required temperature.	Malfunction of heating element.
The 90 min light flicker fleetly	Overflow.	Some element of dishwasher leaks.
The ECO and Glass indicator flicker fleetly	Failure of communication between main PCB with display PCB.	Open circuit or break wiring for the communication.

⚠ WARNING

- If overflow occurs, turn off the main water supply before calling a service.
- If there is water in the base pan because of an overfill or small leak, the water should be removed before restarting the dishwasher.
- **If there is an error code that cannot be solved, please request professional assistance.**

TECHNICAL INFORMATION



Height (H)	845mm
Width (W)	598mm
Depth (D1)	600mm (with the door closed)
Depth (D2)	1175mm (with the door opened 90°)

Product information sheet (EN60436)

Supplier's name or trade mark: CORBERO

Supplier's address (b): KURBIN LANE, S.L. Pº del Ferrocarril, 335 4º 2ª 08860 Castelldefels
Barcelona Spain VAT number ES B65050288

Model identifier: E-CLVM6419W E-CLVM6419X

General product parameters:

Parameter	Value	Parameter	Value	
Rated capacity ^(a) (ps)	12	Dimensions in cm	Height	85
			Width	60
			Depth	60
EEI ^(a)	55,9	Energy efficiency class ^(a)	E ^(c)	
Cleaning performance index ^(a)	1,125	Drying performance index ^(a)	1,065	
Energy consumption in kWh [per cycle], based on the eco programme using cold water fill. Actual energy consumption will depend on how the appliance is used.	0,923	Water consumption in litres [per cycle], based on the eco program. Actual water consumption will depend on how the appliance is used and on the hardness of the water.	11,0	
Program duration ^(a) (h:min)	3:50	Type	Free standing	
Airborne acoustical noise emissions ^(a) (dB(A) re 1 pW)	49	Airborne acoustical noise emission class ^(a)	C ^(c)	
Off-mode (W)	0,49	Standby mode (W)	N/A	
Delay start (W) (if applicable)	1,00	Networked standby (W) (if applicable)	N/A	

Minimum duration of the guarantee offered by the supplier (b): 24 months of guarantee.

Additional information:

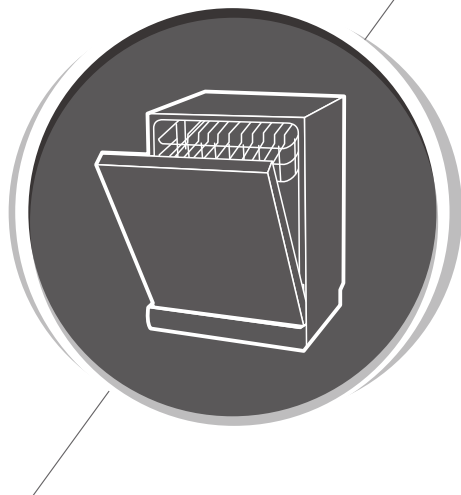
Weblink to the supplier's website, where the information in point 6 of Annex II to Commission Regulation (EU) 2019/2022 ⁽¹⁾ (b) is found: www.corbero.es

(a) for the eco program.

(b) changes to these items shall not be considered relevant for the purposes of paragraph 4 of Article 4 of Regulation (EU) 2017/1369.

(c) if the product database automatically generates the definitive content of this cell the supplier shall not enter these data.

(1) Commission Regulation (EU) 2019/2022 of 1 October 2019 laying down eco design requirements for household dishwashers pursuant to Directive 2009/125/EC of the European Parliament and of the Council amending Commission Regulation (EC) No 1275/2008 and repealing Commission Regulation (EU) No 1016/2010 (see page 267 of this Official Journal).



Manual de Instrucciones

PARTE I: Versión Genérica

E-CLVM6419W

E-CLVM6419X

Corberó

Lea atentamente este manual
antes de utilizar el lavavajillas.
Conserve este manual para futuras consultas.

CONTENIDO

01	3	INFORMACIÓN DE SEGURIDAD
02	8	DESCRIPCIÓN DEL PRODUCTO
03	9	USANDO SU LAVAVAJILLAS
	9	Cargar la sal en el descalcificador
	11	Consejos
04	13	MANTENIMIENTO Y LIMPIEZA Cuidados
	13	externos
	13	Cuidados internos
	16	Cuidado del lavavajillas
05	17	INSTRUCCIONES DE INSTALACIÓN
	17	Conexión eléctrica
	18	Abastecimiento de agua y drenaje
	19	Conexión de las mangueras de drenaje
	20	Coloque el dispositivo
	20	Instalación libre
06	21	Instalación incorporada (para el modelo de encastre)
	25	CONSEJOS PARA SOLUCIONAR PROBLEMAS
07	28	Disponibilidad de repuestos
	30	CARGANDO LAS CESTAS DE ACUERDO CON

NOTA:

- Revisar la sección de Sugerencias para la resolución de problemas le ayudará a resolver algunos problemas comunes por usted mismo.
- Si no puede resolver los problemas usted mismo, solicite ayuda de un técnico profesional.
- El fabricante, siguiendo una política de constante desarrollo y actualización del producto, puede realizar modificaciones sin previo aviso.
- Si está perdido o desactualizado, puede recibir un nuevo manual de usuario del fabricante o vendedor responsable.

INFORMACIÓN DE SEGURIDAD

⚠ ADVERTENCIA

Cuando use su lavavajillas, siga las precauciones que se detallan a continuación:

- Este dispositivo está destinado a ser utilizado en aplicaciones domésticas y similares, tales como:
 - áreas de cocina para el personal en tiendas, oficinas y otros entornos de trabajo;
 - casas de campo;
 - por clientes en hoteles, moteles y otros entornos residenciales;
 - ambientes tipo bed and breakfast.
- Este aparato puede ser utilizado por niños a partir de 8 años y personas con capacidades físicas, sensoriales o mentales reducidas o sin experiencia y conocimiento si se les ha supervisado o instruido sobre el uso del artefacto de una manera segura y entienden los peligros.

Los niños no deben jugar con el aparato. La limpieza y el mantenimiento por parte del usuario no deben ser realizados por niños sin supervisión. (Para EN60335-1)
- Este aparato no debe ser utilizado por personas (incluyendo niños) con capacidades físicas, sensoriales o mentales reducidas, o falta de experiencia y conocimiento, a menos que hayan sido supervisadas o instruidas sobre el uso del aparato por una persona responsable de su seguridad. (Para IEC60335-1)

- ¡El material de embalaje podría ser peligroso para los niños!
- Este aparato es solo para uso doméstico en interiores.
- Para protegerse contra el riesgo de descarga eléctrica, no sumerja la unidad, el cable o el enchufe en agua u otro líquido.
- Desconecte antes de limpiar y realizar tareas de mantenimiento en el aparato.
- Use un paño suave humedecido con jabón suave y luego use un paño seco para limpiarlo nuevamente.


Instrucciones de toma de tierra

- Este aparato debe estar conectado a tierra. En caso de un mal funcionamiento o avería, la conexión a tierra reducirá el riesgo de una descarga eléctrica al proporcionar una ruta de menor resistencia de la corriente eléctrica. Este electrodoméstico está equipado con un enchufe de conductor de puesta a tierra.
- El enchufe debe enchufarse a una toma de corriente apropiada que esté instalada y conectada a tierra de acuerdo con todos los códigos y ordenanzas locales.
- La conexión incorrecta del conductor de puesta a tierra del equipo puede provocar el riesgo de una descarga eléctrica.
- Consulte con un electricista o representante de servicio calificado si tiene dudas sobre si el artefacto está correctamente conectado a tierra.

- No modifique el enchufe provisto con el aparato; Si no encaja en la toma de corriente.
- Haga que un electricista calificado instale una toma de corriente adecuada.
- No abuse, ni se siente, ni se pare sobre la puerta o la rejilla del lavavajillas.
- No opere su lavavajillas a menos que todos los paneles estén colocados correctamente.
- Abra la puerta con mucho cuidado. Si el lavavajillas está funcionando, existe el riesgo de que salga agua.
- No coloque objetos pesados ni se pare en la puerta cuando esté abierta.
- El aparato podría volcarse hacia adelante.
Al cargar artículos para lavar:
 - 1) Ubique los objetos con filo para que no dañen el sello de la puerta;
 - 2) Advertencia: los cuchillos y otros utensilios con punta afilada deben cargarse en la cesta con sus puntas hacia abajo o colocados en posición horizontal.
- Algunos detergentes para lavavajillas son fuertemente alcalinos. Pueden ser extremadamente peligrosos si se ingieren. Evite el contacto con la piel y los ojos y mantenga a los niños alejados del lavavajillas cuando la puerta esté abierta.
- Verifique que el polvo del detergente esté vacío después de completar el ciclo de lavado.

- No lave artículos de plástico a menos que estén marcados como "aptos para lavavajillas" o su equivalente.
- Para artículos de plástico no marcados, verifique las recomendaciones del fabricante.
- Use solo detergentes y agentes de enjuague recomendados para su uso en un lavavajillas.
- Nunca use jabón, detergente para la ropa o detergente para el lavado de manos en su lavavajillas.
- La puerta no debe dejarse abierta, ya que esto podría aumentar el riesgo de mal-función.
Si el cable de alimentación está dañado, debe ser reemplazado por el fabricante o su agente de servicio o una persona calificada para evitar un peligro.
- Durante la instalación, la fuente de alimentación no debe doblarse o aplanarse de forma excesiva o peligrosa.
- No altere los controles.
- El electrodoméstico debe estar conectado a la válvula principal de agua con nuevos juegos de mangueras. Los viejos sets no deben ser reutilizados.
- Para ahorrar energía, en el modo de espera, el aparato se apagará automáticamente mientras no haya ninguna operación en 15 minutos.
- El número máximo de ajustes para lavar es 12.
- El máximo permitido para la presión del ingreso del agua es de 1MPa.
- El mínimo permitido de presión de ingreso de agua es 0,04MPa.

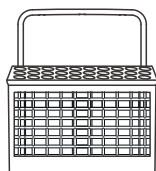
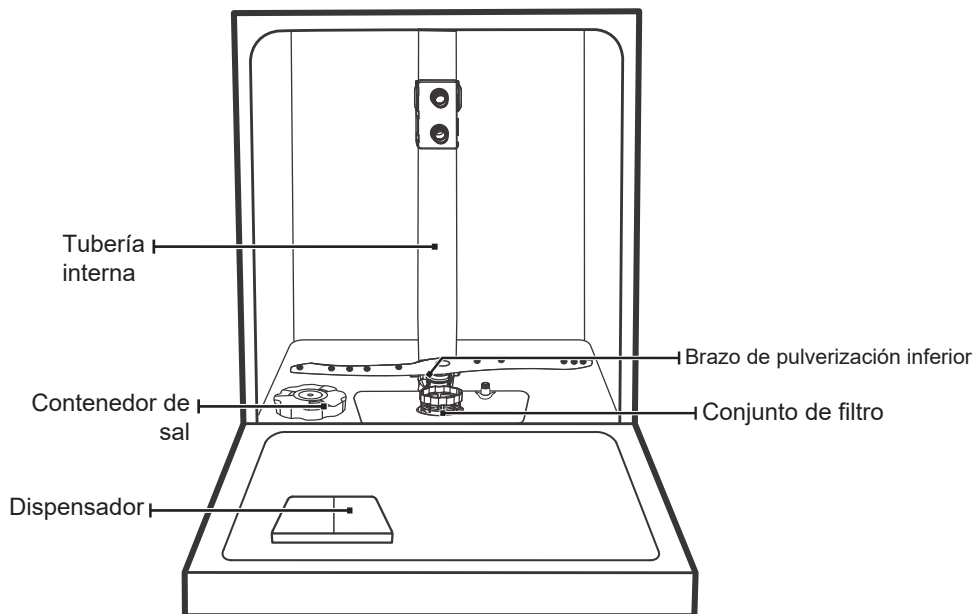
Eliminación de residuos

- Para desechar el paquete y el electrodoméstico por favor vaya a un centro de reciclaje. Por lo tanto, corte el cable de alimentación y hacer que el dispositivo de cierre de la puerta quede inutilizable. 
- Los envases de cartón se fabrican con papel reciclado y deben desecharse en la recolección de papel usado para reciclar.
- Al asegurarse de que este producto se elimine correctamente, ayudará a evitar posibles consecuencias negativas para el medio ambiente y la salud humana, que de lo contrario podrían ser causadas por el manejo inapropiado de este producto.
- Para obtener información más detallada sobre el reciclaje de este producto, comuníquese con la oficina local de su ciudad y su servicio de eliminación de desechos domésticos.
- **ELIMINACIÓN:** No deseche este producto como desecho municipal sin clasificar. La recolección de tales desechos por separado para un tratamiento especial es necesaria.

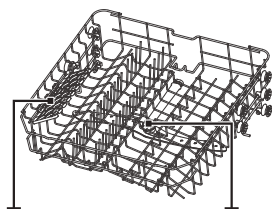
DESCRIPCIÓN DEL PRODUCTO

❗ IMPORTANTE:

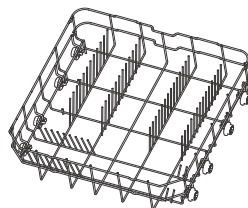
Para obtener el mejor rendimiento de su lavavajillas, lea todas las instrucciones de funcionamiento antes de usarlo por primera vez.



tercera bandeja



cesta superior

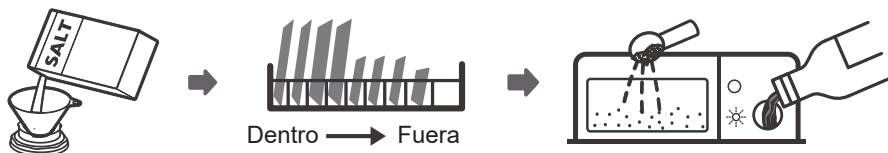


cesta inferior

💡 Las imágenes son solo de referencia, algunos modelos pueden ser diferentes

USANDO SU LAVAVAJILLAS

Antes de usar su lavavajillas:



1. Configure el descalcificador de agua
2. Cargue la sal en el descalcificador
3. Cargue la canasta
4. Llene el dispensador



Consulte la sección 1 "Descalcificador de agua" de la PARTE 1. Consulte la sección 1 "Descalcificador de agua" de la PARTE II: II: Versión especial, Versión especial, si necesita configurar el ablandador de agua. Si necesita configurar el ablandador de agua, consulte

Cargar la sal en el descalcificador

💡 NOTA:

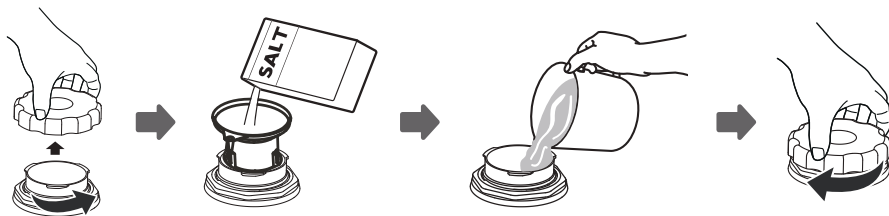
Si su modelo no tiene ningún ablandador de agua, puede omitir esta sección. Siempre use sal para uso en el lavavajillas.

El contenedor de sal se encuentra debajo de la cesta inferior y debe llenarse como se explica a continuación:

⚠️ ADVERTENCIA


- ¡Solo use sal específicamente diseñada para el uso de lavavajillas! Cualquier otro tipo de sal no específicamente diseñada para el uso de lavavajillas, especialmente la sal de mesa, dañará el ablandador de agua. En caso de daños causados por el uso de sal inadecuada, el fabricante no da ninguna garantía ni se responsabiliza por los daños causados.
- Solo rellene con sal antes de ejecutar un ciclo. Esto evitará que los granos de sal o agua salada que se haya derramado permanezcan en el fondo de la máquina por un período de tiempo que pueda causar corrosión.

Siga los pasos a continuación para agregar sal lavavajillas:



1. Retire la cesta inferior y desatornille la tapa del depósito.
2. Coloque el extremo del embudo (suministrado) en el orificio y vierta aproximadamente 1,5 kg de sal de lavavajillas.
3. Llene el contenedor de sal hasta su límite máximo con agua. Es normal que salga una pequeña cantidad de agua del contenedor de sal.
4. Después de llenar el recipiente, vuelva a atornillar la tapa.
5. La luz de advertencia de sal dejará de estar después de que el contenedor de sal se haya llenado con sal.
6. Inmediatamente después de llenar la sal en el contenedor de sal, se debe iniciar un programa de lavado (sugerimos usar un programa corto). De lo contrario, el sistema de filtro, la bomba u otras partes importantes de la máquina pueden dañarse con agua salada. Esto está fuera de garantía.

NOTE:

- El contenedor de sal solo debe rellenarse cuando la luz de advertencia de sal  en el panel de control se enciende.
- Dependiendo de qué tan bien se disuelva la sal, la luz de advertencia de sal aún puede estar encendida aun que el contenedor de sal esté lleno.
- Si no hay luz de advertencia de sal en el panel de control (para algunos modelos), puede estimar cuándo se debe llenar la sal en el suavizador por los ciclos que ha funcionado el lavavajillas.
- Si la sal se ha derramado, ejecuta un prelavado o un programa rápido para eliminarla.

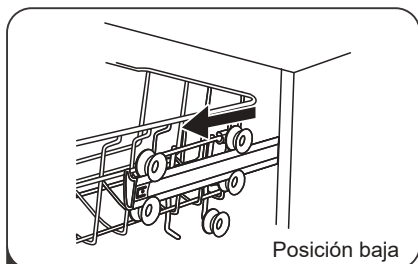
Consejos

Ajustar la bandeja superior

Tipo 1:

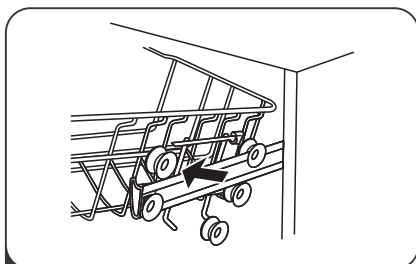
La altura de la canasta superior se puede ajustar fácilmente para acomodar platos más altos en la canasta superior o inferior.

Para ajustar la altura del estante superior, siga estos pasos:



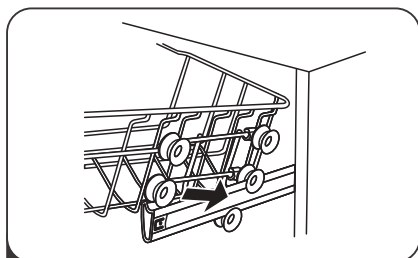
1

Saca la canasta superior.



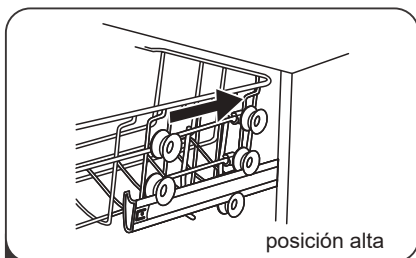
2

Retire la canasta superior.



3

Vuelva a colocar la canasta superior en los rodillos superiores o inferiores.

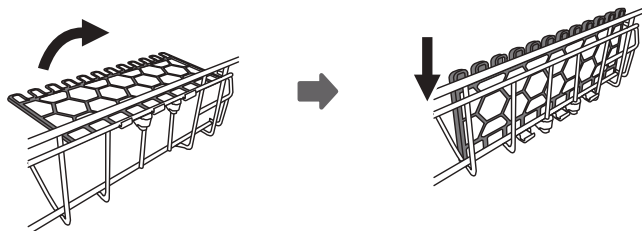


4

Empuje la canasta superior.

Plegando los estantes de las tazas

Para dejar espacio para los artículos más altos, suba la rejilla de la taza hacia arriba. También puede quitarlo cuando no se requiera su uso.



LIMPIEZA Y MANTENIMIENTO

Cuidados externos

La puerta y el sello de la puerta

Limpe los sellos de la puerta regularmente con un paño suave y húmedo para eliminar los depósitos de alimentos. Cuando se carga el lavavajillas, los residuos de comida y bebida pueden gotear en los lados de la puerta del lavavajillas. Estas superficies están fuera del gabinete de lavado y no se accede por el agua desde los brazos de rociado. Cualquier depósito debe limpiarse antes de que se cierre la puerta.

Panel de control

El panel de control debe limpiarse SOLAMENTE con un paño suave y húmedo.

ADVERTENCIA

- Para evitar la penetración de agua en la cerradura de la puerta y los componentes eléctricos, no use un limpiador en aerosol de ningún tipo.
- Nunca use limpiadores abrasivos o estropajos en las superficies externas porque pueden rayar el acabado. Algunas toallas de papel también pueden rayar o dejar marcas en la superficie.

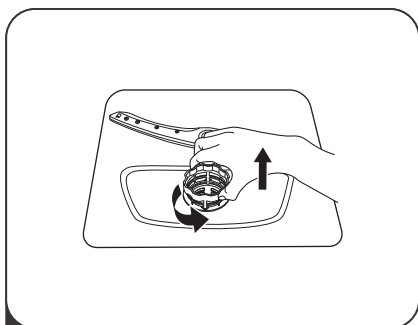
Cuidados internos

Sistema de filtros

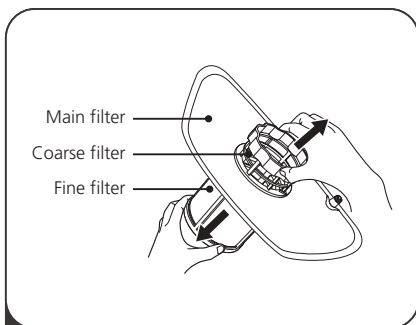
El sistema de filtrado en la base del gabinete de lavado retiene los residuos gruesos del ciclo de lavado, incluidos los objetos extraños como palillos de dientes o fragmentos. Los residuos gruesos recolectados pueden hacer que los filtros se obstruyan. Compruebe el estado de los filtros con regularidad, retire con cuidado los objetos extraños y limpie las partes del sistema de filtrado si es necesario con agua. Siga los pasos a continuación para limpiar el filtro.

NOTA:

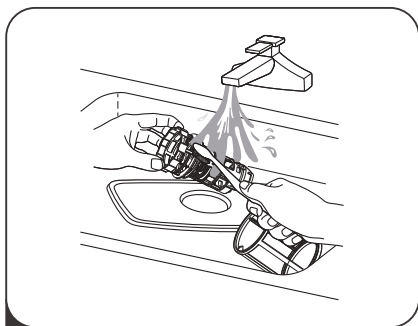
Las imágenes son solo para referencia, diferentes modelos del sistema de filtrado y los brazos rociadores pueden ser diferentes.



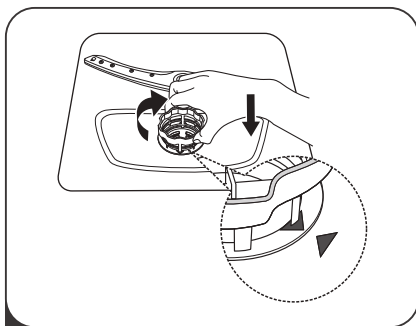
- 1** Sostenga el filtro grueso y gírelo en sentido antihorario para desbloquear el filtro. Levante el filtro hacia arriba y fuera del lavavajillas.



- 2** El filtro fino se puede sacar de la parte inferior del conjunto del filtro. El filtro grueso se puede separar del filtro principal apretando suavemente las pestañas en la parte superior y tirando de él.



- 3** Los restos de alimentos más grandes se pueden limpiar enjuagando el filtro con agua corriente. Para una limpieza más completa, use un cepillo de limpieza suave.



- 4** Vuelva a armar los filtros en el orden inverso al del desmontaje, vuelva a colocar el inserto del filtro y gírelo en el sentido de las agujas del reloj hasta la flecha de cierre.

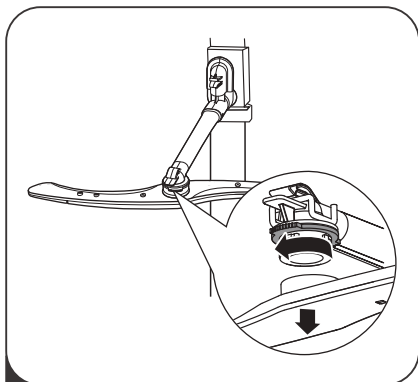
⚠ ADVERTENCIA

- No apriete demasiado los filtros. Vuelva a colocar los filtros en secuencia de forma segura, de lo contrario podría entrar suciedad gruesa en el sistema y causar un bloqueo.
- NUNCA use el lavavajillas sin filtros en su lugar. El reemplazo incorrecto del filtro puede reducir el nivel de rendimiento del electrodoméstico y dañar los platos y utensilios.

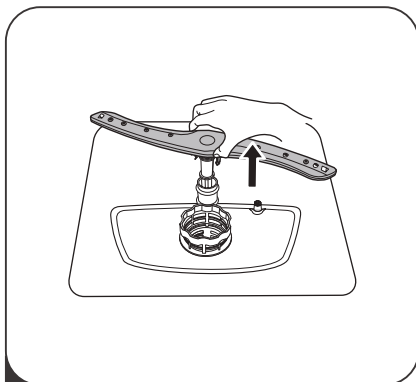
Brazos pulverizadores

Es necesario limpiar los brazos de rociado regularmente para productos químicos de agua dura que obstruirán los chorros y los cojinetes del brazo rociador.

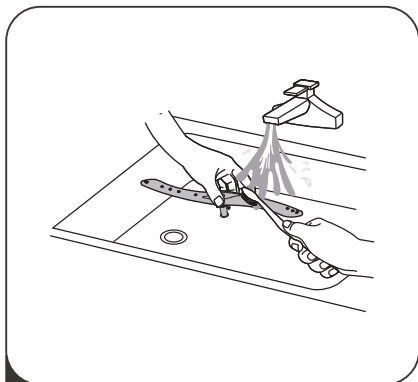
Para limpiar los brazos rociadores, siga las instrucciones a continuación:



1 Para quitar el brazo rociador superior, sostenga la tuerca en el centro de la rueda y gire el brazo rociador en el sentido contrario a las agujas del reloj para quitarlo.



2 Para quitar el brazo rociador inferior, saque el brazo rociador hacia arriba.



3 Lave los brazos en agua jabonosa y tibia y use un cepillo suave para limpiar los chorros. Reemplácelos después de enjuagarlos completamente.

Cuidados para el lavavajillas

Precaución de helada

Tome medidas de protección contra heladas en el lavavajillas en invierno. Todos los ciclos posteriores al lavado operan de la siguiente manera:

1. Corte la corriente eléctrica al lavavajillas en la fuente de suministro.
2. Cierre el suministro de agua y desconecte el tubo de entrada de agua de la válvula de agua.
3. Drene el agua de la tubería de entrada y la válvula de agua. (Usa una sartén para juntar el agua)
4. Vuelva a conectar el tubo de entrada de agua a la válvula de agua.
5. Retire el filtro en el fondo de la bañera y use una esponja para absorber el agua en el sumidero.

Después de cada lavado

Después de cada lavado, cierre el suministro de agua al aparato y deje la puerta ligeramente abierta para que la humedad y los olores no queden atrapados en el interior.

Retire el enchufe

Antes de limpiar o realizar tareas de mantenimiento, siempre quite el enchufe del zócalo.

Sin disolventes ni limpieza abrasiva

Para limpiar el exterior y las piezas de goma del lavavajillas, no use disolventes ni productos de limpieza abrasivos. Solo use un paño con agua tibia y jabón.

Para eliminar manchas o manchas de la superficie del interior, use un paño humedecido con agua y un poco de vinagre o un producto de limpieza hecho específicamente para lavavajillas.

Cuando no está en uso durante mucho tiempo

Se recomienda que ejecute un ciclo de lavado con el lavavajillas vacío y luego retire el enchufe de la toma, apague el suministro de agua y deje la puerta del aparato ligeramente abierta. Esto ayudará a que los sellos de la puerta duren más y evite que se formen olores dentro del artefacto.

Mover el aparato

Si el electrodoméstico debe moverse, intente mantenerlo en posición vertical. Si es absolutamente necesario, puede colocarse de espaldas.

INSTRUCCIONES DE INSTALACIÓN

⚠ ADVERTENCIA



Peligro de Choque Eléctrico

Desconecte la energía eléctrica antes de instalar el lavavajillas. De lo contrario, podría producirse la muerte o una descarga eléctrica.

⚠ Atención

La instalación de las tuberías y equipos eléctricos debe ser realizada por profesionales.

Acerca de la conexión de alimentación

⚠ ADVERTENCIA

Por seguridad personal:

- No use un cable de extensión o un enchufe adaptador con este electrodoméstico.
- Bajo ninguna circunstancia, corte o retire la conexión a tierra del cable de alimentación.

Requisitos eléctricos

Consulte la etiqueta de clasificación para conocer el voltaje nominal y conecte el lavavajillas a la fuente de alimentación adecuada. Utilice el fusible 10A / 13A / 16A requerido, fusible de retardo o disyuntor recomendado y proporcione un circuito separado que sirva solo a este electrodoméstico.

Conexión eléctrica

Asegúrese de que el voltaje y la frecuencia de la corriente correspondan a los de la placa de características. Solo inserte el enchufe en una toma de corriente que esté conectada a tierra correctamente. Si la toma eléctrica a la que debe conectarse el aparato no es apropiada para el enchufe, reemplace el enchufe, en lugar de usar un adaptador o similar, ya que podrían causar sobrecalentamiento y quemaduras.

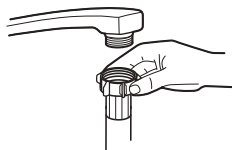
⚠ Asegúrese de que exista una correcta conexión a tierra antes del uso

Abastecimiento de agua y drenaje

Conexión de agua fría

Conecte la manguera de suministro de agua fría a un conector roscado de 3/4 (pulgadas) y asegúrese de que esté bien sujeta en su lugar.

Si las tuberías de agua son nuevas o no se han utilizado durante un período prolongado de tiempo, deje correr el agua para asegurarse de que el agua esté limpia. Esta precaución es necesaria para evitar el riesgo de que la entrada de agua se bloquee y dañe el aparato.



manguera de suministro ordinario



manguera de suministro de seguridad

Acerca de la manguera de suministro de seguridad

La manguera de suministro de seguridad consiste en las paredes dobles. El sistema de la manguera garantiza su intervención bloqueando el flujo de agua en caso de que se rompa la manguera de suministro y cuando el espacio de aire entre la manguera de suministro y la manguera corrugada exterior esté lleno de agua.

⚠ ADVERTENCIA

Una manguera que se conecta al fregadero puede explotar si está instalada en la misma línea de agua que el lavavajillas. Si su fregadero tiene uno, se recomienda desconectar la manguera y tapan el orificio.

Cómo conectar la manguera de suministro de seguridad

1. Tire de las mangueras de suministro de seguridad completamente fuera del compartimento de almacenamiento ubicado en la parte posterior del lavavajillas.
2. Ajuste los tornillos de la manguera de suministro de seguridad al grifo con rosca de 3/4 pulg.
3. Encienda completamente el agua antes de encender el lavavajillas.

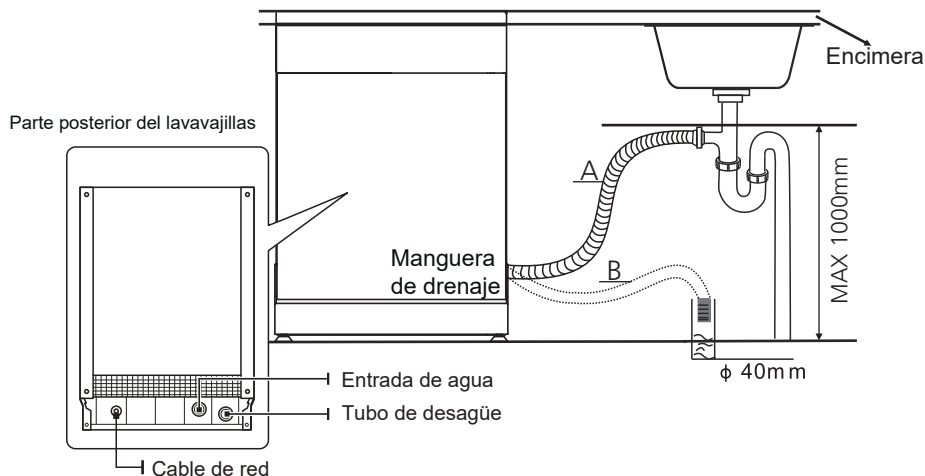
Cómo desconectar la manguera de suministro de seguridad

1. Apaga el agua.
2. Desenrosque la manguera de suministro de seguridad del grifo.

Conexión de las mangueras de drenaje

Inserta la manguera de drenaje en un tubo de drenaje con un diámetro mínimo de 4 cm o déjalo entrar al fregadero, asegurándote de evitar doblarlo o engarzarlo. La altura del tubo de drenaje debe ser inferior a 1000 mm. El extremo libre de la manguera no debe sumergirse en agua para evitar el retroceso del mismo.

⚠ Fije con seguridad la manguera de drenaje en la posición A o en la posición B



Cómo drenar el exceso de agua de las mangueras

Si el fregadero está 1000 más alto desde el suelo, el exceso de agua en las mangueras no se puede drenar directamente en el fregadero. Será necesario drenar el exceso de agua de las mangueras en un recipiente o recipiente adecuado que se mantenga afuera y más bajo que el fregadero.

Salida de agua

Conecte la manguera de drenaje de agua. La manguera de drenaje debe estar correctamente instalada para evitar fugas de agua. Asegúrese de que la manguera de drenaje de agua no esté doblada ni aplastada.

Manguera de extensión

Si necesita una extensión de manguera de drenaje, asegúrese de usar una manguera de drenaje similar.

No debe superar los 4 metros; de lo contrario, el efecto de limpieza del lavavajillas podría ser reducido

Conexión de sifón

La conexión de desechos debe estar a una altura inferior a 100 cm (máximo) desde el fondo del plato. La manguera de drenaje de agua debe ser fija.

Coloque el dispositivo

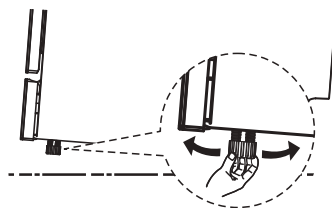
Coloque el aparato en la ubicación deseada. La parte posterior debe descansar contra la pared detrás de ella y los lados, a lo largo de los gabinetes o paredes adyacentes. El lavavajillas está equipado con un suministro de agua y mangueras de drenaje que se pueden colocar a la derecha o a la izquierda para facilitar la instalación.

Nivelación del dispositivo

Una vez que el electrodoméstico está posicionado para la nivelación, la altura del lavavajillas puede ser alterada a través de ajuste del nivel de atornillado de los pies.

💡 NOTA:

Aplicar solo al lavaplatos independiente.

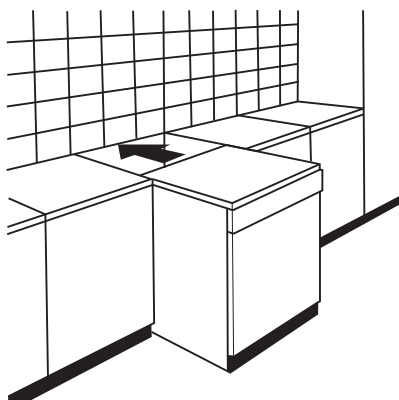


Instalación independiente

Montaje entre gabinetes existentes

La altura del lavavajillas, 845 mm, se ha diseñado para permitir que la máquina se instale entre gabinetes existentes de la misma altura en cocinas modernas instaladas. Los pies se pueden ajustar para alcanzar la altura correcta.

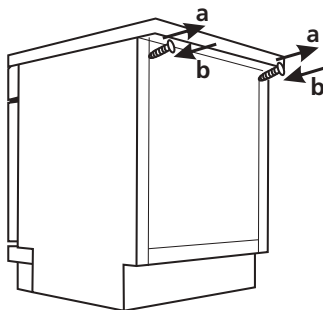
La parte superior laminada de la máquina no requiere ningún cuidado especial, ya que es resistente al calor, a prueba de arañazos y a prueba de manchas.



Debajo del trabajo existente arriba

(cuando se ajusta debajo de un tablero de trabajo)

En la mayoría de las cocinas modernas instaladas, solo hay una sola encimera debajo de la cual se instalan armarios y electrodomésticos. En este caso, quite la parte superior de trabajo del lavavajillas desenroscando los tornillos debajo del borde posterior de la parte superior (a).



⚠ Atención

Después de retirar la parte superior de la pieza de trabajo, los tornillos DEBEN volver a atornillarse debajo del borde posterior de la parte superior (b).

La altura se reducirá a 815 mm, según lo previsto por el Reglamento Internacional (ISO) y el lavavajillas se ajustará perfectamente debajo de la cocina.

Instalación incorporada (para el modelo integrado)

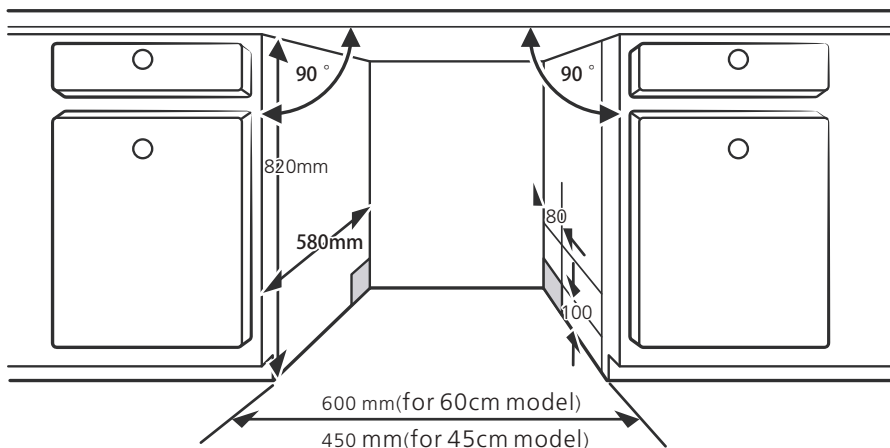
Paso 1. Seleccionar la mejor ubicación para el lavavajillas

La posición de instalación del lavavajillas debe estar cerca de las mangueras de entrada y drenaje existentes y del cable de alimentación.

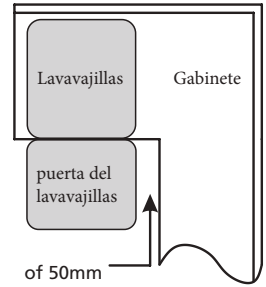
Ilustraciones de las dimensiones del mueble y la posición de instalación del lavavajillas. La posición de instalación del lavavajillas debe estar cerca de las mangueras de entrada y drenaje existentes y del cable de alimentación.

Ilustraciones de las dimensiones del mueble y la posición de instalación del lavavajillas.

1. Menos de 5 mm entre la parte superior del lavavajillas y el mueble y la puerta exterior alineada al mueble.



2. Si el lavavajillas está atascado en la esquina del mueble, debe haber algo de espacio cuando se abra la puerta.



NOTA:

Dependiendo de dónde se encuentre su toma de corriente, es posible que tenga que hacer un agujero en el lado opuesto del armario.

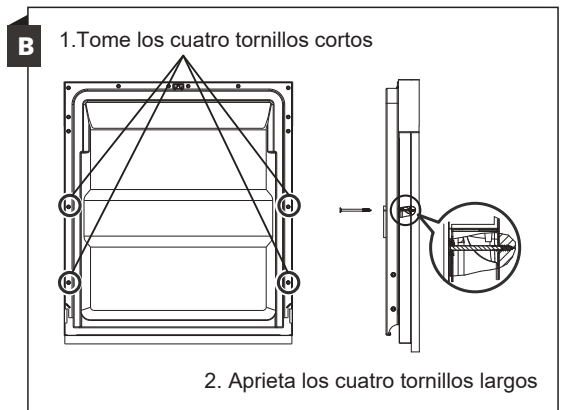
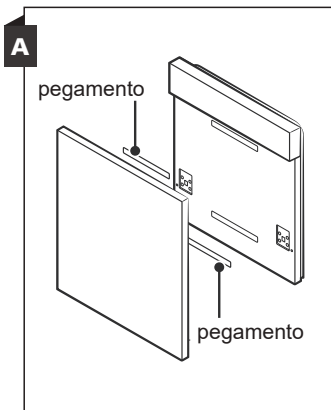
Paso 2. Dimensiones e instalación del panel estético



El panel de madera estética podría procesarse de acuerdo con el panel de madera estética podría ser procesado de acuerdo con los dibujos de instalación. Dibujos de instalación.

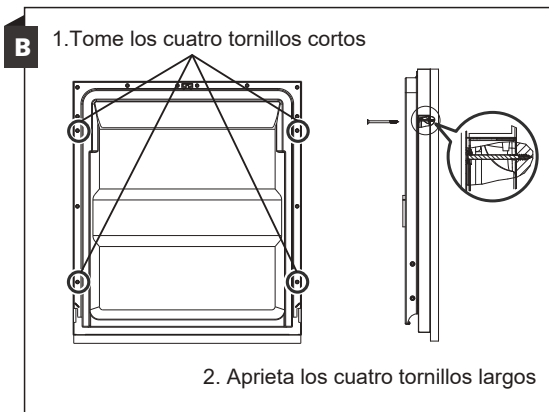
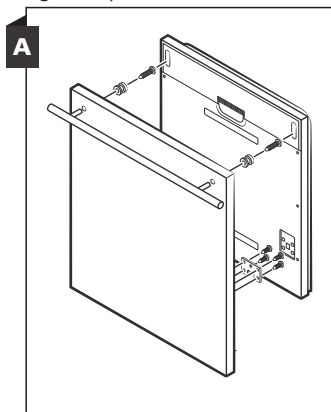
Modelo semi integrado

El pasador mágico A y el pasador mágico B se dislocan, el pasador mágico A en el panel de madera estética y el pasador mágico afieltrado B de la puerta exterior del lavavajillas (consulte la figura A). Después de colocar el panel, fije el panel a la puerta exterior mediante tornillos y pernos (consulte la figura B).



Modelo totalmente integrado

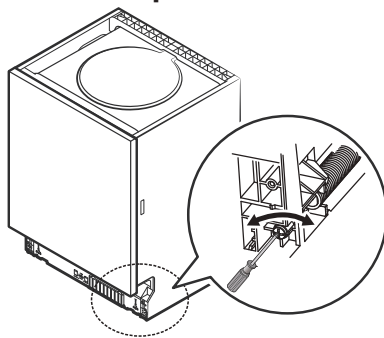
Instale el gancho en el panel de madera estético y coloque el gancho en la ranura de la puerta exterior del lavavajillas (vea la figura A). Después de colocar el panel, fije el panel a la puerta exterior mediante tornillos y pernos (consulte la figura B).



Paso 3. Ajuste de tensión del resorte de la puerta

1. Los resortes de la puerta se ajustan en la fábrica a la tensión adecuada para la puerta exterior. Si tiene instalado un panel de madera estético, deberá ajustar la tensión del resorte de la puerta. Gire el tornillo de ajuste para mover el ajustador y tensar o relajar el cable de acero.

2. La tensión del resorte de la puerta es correcta cuando la puerta permanece horizontal en la posición completamente abierta, pero se eleva hasta el final con un ligero movimiento de un dedo.

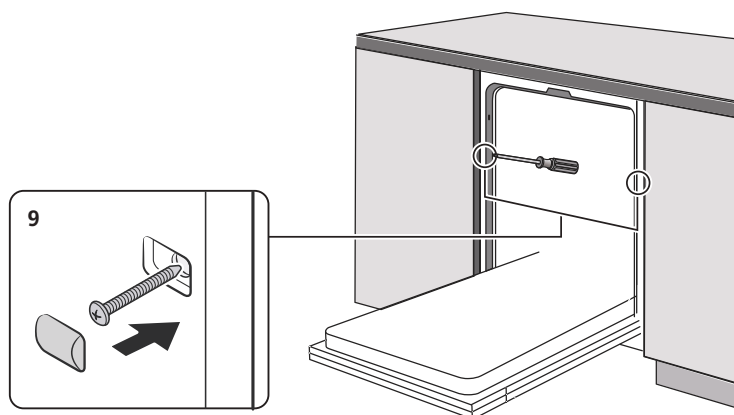


Paso 4. Pasos de instalación del lavaplatos



Consulte los pasos de instalación especificados en la instalación.

1. Fije la banda de condensación debajo de la superficie de trabajo del armario. Asegúrese de que la banda de condensación esté alineada con el borde de la superficie de trabajo. (Paso 2)
2. Conecte la manguera de entrada al suministro de agua fría.
3. Conecte la manguera de drenaje.
4. Conecte el cable de alimentación.
5. Coloque el lavavajillas en su lugar. (Etapa 4)
6. Nivele el lavavajillas. La comida trasera se puede ajustar desde la parte frontal del lavavajillas girando el tornillo Philips en el medio de la base del lavavajillas con un tornillo Philips. Para ajustar las patas delanteras, use un destornillador plano y gire las patas delanteras hasta que el lavavajillas esté nivelado. (Paso 5 al paso 6)
7. Instale la puerta del mueble en la puerta exterior del lavavajillas. (Paso 7 al paso 10)
8. Ajuste la tensión de los resortes de las puertas con una llave Allen que gira en el sentido de las agujas del reloj para apretar los resortes izquierdo y derecho de la puerta. De lo contrario, podría dañar su lavavajillas. (Paso 11)
9. El lavavajillas debe estar asegurado en su lugar. Hay dos maneras de hacer esto:



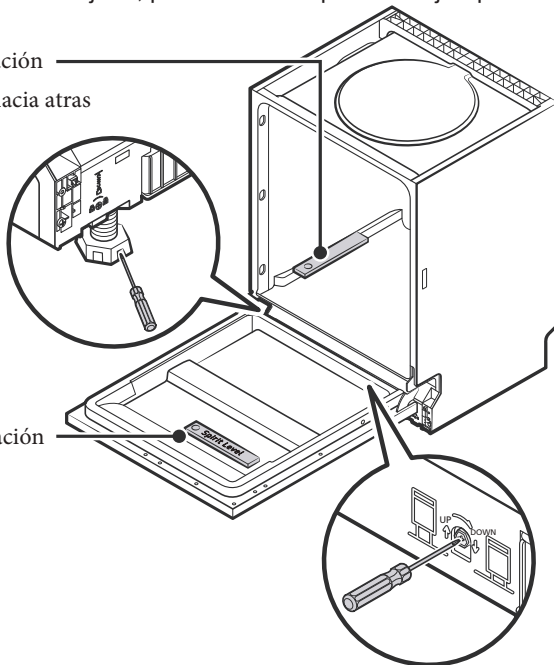
Paso 5. Nivelación del lavavajillas

El lavaplatos debe estar nivelado para el correcto funcionamiento del estante para platos y el rendimiento del lavado.

1. Coloque un nivel de burbuja en la puerta y en el riel dentro de la bañera como se muestra para verificar que el lavavajillas esté nivelado.
2. Nivele el lavavajillas ajustando las tres patas niveladoras individualmente.
3. Cuando nivele el lavavajillas, preste atención para no dejar que el lavavajillas se vuelque.

Nivel de verificación
desde el frente hacia atrás

Nivel de verificación
un lado a otro



NOTA:

La altura máxima de ajuste de los pies es de 50 mm.

CONSEJOS PARA SOLUCIONAR PROBLEMAS

Antes de llamar al servicio técnico

Revisar los cuadros en las páginas siguientes puede evitarle llamar para obtener servicio.

Problema	Causa posible	Qué hacer?
El lavavajillas no se inicia	Fusible quemado, o cortocircuito	Reemplace el fusible o reinicie el disyuntor. Retire cualquier otro electrodoméstico que comparta el mismo circuito con el lavavajillas.
	La fuente de alimentación no está encendida.	Asegúrese de que el lavavajillas esté encendido y que la puerta esté bien cerrada. Asegúrese de que el cable de alimentación esté enchufado correctamente en la toma de corriente.
	La presión del agua es baja	Verifique que el suministro de agua esté conectado correctamente y que el agua esté encendida.
	La puerta del lavavajillas no está bien cerrada.	Asegúrese de cerrar la puerta correctamente y engancharla.
Agua no bombeada desde el lavavajillas	Manguera de drenaje retorcida o atrapada.	Verifique la manguera de drenaje.
	Filtro obstruido	Compruebe el filtro grueso.
	Fregadero de cocina atascado.	Verifique el fregadero de la cocina para asegurarse de que esté drenando bien. Si el problema es que el fregadero de la cocina no está drenando, es posible que necesite un plomero en lugar de un técnico para lavaplatos.
Pompas de jabón	Detergente incorrecto	Use solo el detergente especial para lavavajillas para evitar espuma. Si esto ocurre, abra el lavavajillas y permita que la espuma se evapore. Agregue 1 galón de agua fría al fondo del lavavajillas. Cierre la puerta del lavavajillas, luego seleccione cualquier ciclo. Inicialmente, el lavavajillas drenará el agua. Abra la puerta después de que la etapa de drenaje esté completa y verifique si la espuma ha desaparecido. Repita si es necesario.

Problema	Causa posible	Qué hacer?
	Ayuda de enjuague derramada.	Limpie siempre los derrames de abrillantador inmediatamente.
Interior manchado	Se puede haber usado detergente con colorante.	Asegúrese de que el detergente no tenga colorante.
Película blanca en la superficie interior	Minerales de agua dura	Para limpiar el interior, use una esponja húmeda con detergente para lavavajillas y use guantes de goma. Nunca use ningún otro limpiador que no sea detergente para lavavajillas, de lo contrario, puede causar espuma o espuma.
Hay manchas de óxido en los cubiertos	Los artículos afectados no son resistentes a la corrosión.	Evite lavar artículos que no sean resistentes a la corrosión en el lavavajillas.
	No se ejecutó un programa después de agregar la sal de lavavajillas. Los rastros de sal han entrado en el ciclo de lavado.	Siempre ejecute un programa de lavado sin vajilla después de agregar sal. No seleccione la función Turbo (si está presente).
	La tapa está suelta.	Verifique que la tapa del descalcificador esté segura.
Ruido de algo golpeando en el lavavajillas	Un brazo rociador está golpeando contra un artículo en una cesta	Interrumpa el programa y reorganice los elementos que obstruyen el brazo rociador.
Ruido en el lavavajillas	Los artículos de vajilla están sueltos en el lavavajillas.	Interrumpa el programa y reorganice los elementos de la vajilla.
Ruido de algo golpeando en las tuberías de agua	Esto puede ser causado por la instalación en el sitio o por la sección transversal de la tubería.	Esto no tiene influencia en la función del lavavajillas. En caso de duda, contacte a un plomero calificado.
Los platos no están limpios	Los platos no se cargaron correctamente.	Vea las notas en "Carga y descarga de su lavavajillas".
	El programa no fue lo suficientemente eficaz.	Seleccione un programa más intensivo.

Problema	Causa posible	Qué hacer?
Los platos no están limpios	No se dispensó suficiente detergente.	Use más detergente o cambie su detergente.
	Los artículos están bloqueando el movimiento de los brazos rociadores.	Reorganice los elementos para que la pulverización pueda girar libremente.
	La combinación del filtro no está limpio o no está correctamente colocado en la base del gabinete de lavado. Esto puede causar que los chorros del brazo rociador se bloqueen.	Limpie y / o ajuste el filtro correctamente. Limpie los chorros del brazo rociador.
Nubosidad en cristalería.	Combinación de agua blanda y demasiado detergente.	Use menos detergente si tiene agua blanda y seleccione un ciclo más corto para lavar el material de vidrio y limpiarlo.
Aparecen manchas blancas en platos y vasos.	El área de agua dura puede causar depósitos de cal.	Agregue más detergente.
Marcas negras o grises en los platos	Utensilios de aluminio se han frotado contra los platos	Use un limpiador abrasivo suave para eliminar esas marcas.
El detergente se dejó en el dispensador	Los platos bloquean el dispensador de detergente	Recargar los platos adecuadamente
Los platos no están limpios	Carga incorrecta	Cargue el lavavajillas como se sugiere en las instrucciones.
	Los platos se eliminan demasiado pronto	No vacíe su lavavajillas inmediatamente después del lavado. Abra la puerta ligeramente para que salga el vapor. Saque los platos hasta que la temperatura interior sea segura para tocar. Descargue primero la cesta inferior para evitar que caiga agua de la cesta superior.

Problema	Posible causa	Qué hacer?
Los platos no están limpios	El programa equivocado ha sido seleccionado.	Con un programa corto, la temperatura de lavado es menor, disminuyendo el rendimiento de limpieza. Elija un programa con un largo tiempo de lavado.
	Uso de cubiertos con un recubrimiento de baja calidad.	El drenaje de agua es más difícil con estos artículos. Cubiertos o platos de este tipo no son adecuados para lavar en el lavavajillas.

⚠ ADVERTENCIA

La auto reparación o la reparación por no profesionales profesional pueden causar serios riesgos para la seguridad del usuario del electrodoméstico y afectar la garantía

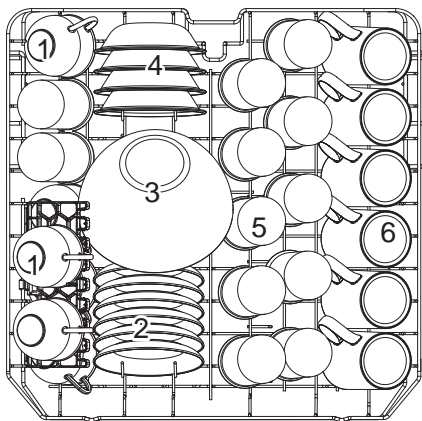
Disponibilidad de repuestos

- **Siete años después de la puesta en el mercado de la última unidad del modelo:** Motor, bomba de circulación y drenaje, calentadores y elementos calefactores, incluidos bombas de calor (por separado o agrupadas), tuberías y equipos relacionados, incluidos todas las mangueras, válvulas, filtros y topes de agua, partes estructurales e interiores relacionadas con conjuntos de puertas (por separado o agrupados), placas de circuito impreso, pantallas, presostatos, termostatos y sensores, software y firmware incluido el software de reinicio
- **Diez años después de la puesta en el mercado de la última unidad del modelo:** Bisagras y sellos de puerta, otros sellos, brazos rociadores, filtros de drenaje, rejillas interiores y periféricos de plástico como cestas y tapas.

CARGANDO LAS CESTAS DE ACUERDO CON EN60436:

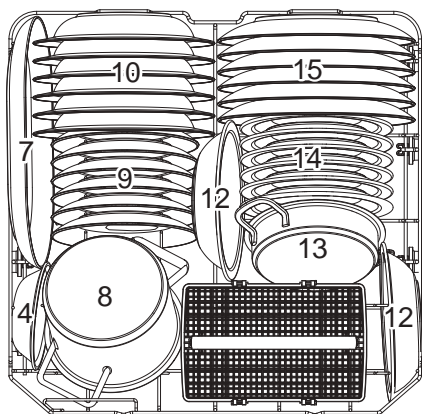
Cargar el lavavajillas a su máxima capacidad contribuirá al ahorro de energía y agua.

1. Cesta superior:



Number	Item
1	tazas
2	platos
3	bol de vidrio
4	tazon de postre
5	vasos
6	taza mediana

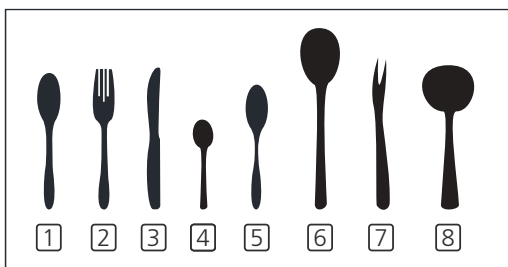
2. Cesta inferior:



Number	Item
7	fuelle ovalado
8	olla pequeña
9	platos de postre
10	platos de sopa
11	cesto de cubiertos
12	cuenco de melamina
13	olla de horno
14	platos de postre de melamina
15	platos de comida

3. Cesto de cubiertos

1	2	1		4	4	4	4	4	4		1	2	1
2	2	2			8			7		3	3		2
1	2	1		4	4	4	4	4	4		1	3	1
1	2	1		5	5	5	5	5	5		3	3	3
2	2	2			3			3		3	3	3	3
1	2	1		5	5	5	5	5	5		6		6



Número	Item
1	Cucharas de sopa
2	tenedores
3	Cuchillos
4	Cucharaditas
5	Cucharas de postre
6	Sirviendo cucharas
7	Servir tenedores
8	Cucharas de salsa

Información para comparabilidad pruebas de acuerdo con EN 60436

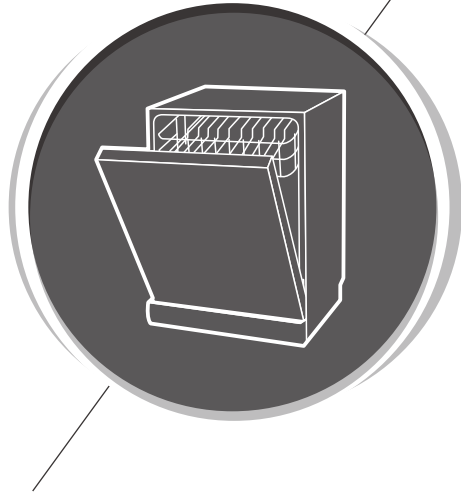
Capacidad: 12 servicios

Posición de la cesta superior: posición inferior

Programa: ECO

Ajuste de abrillantador: Max

suavizador: H3



Manual de Instrucciones

PARTE II : Versión Especial

E-CLVM6419W

E-CLVM6419X

Corberó

Lea este manual detenidamente antes de usar el lavavajillas y conserve este manual para futuras consultas.

CONTENIDO

01	<ul style="list-style-type: none">④ USANDO SU LAVAVAJILLAS④ Panel de control⑥ Suavizador de agua⑦ Preparación y carga de platos⑩ Función del agente de enjuague y detergente⑪ Llenar el depósito de agente de enjuague⑫ Llenar El Dispensador De Detergente
02	<ul style="list-style-type: none">⑬ PROGRAMANDO EL LAVAVAJILLAS⑬ Tablo de ciclo de lavado⑭ Comenzando un ciclo de lavado⑭ Cambiando el programa de medio ciclo⑮ Olvídate de agregar un plato?
03	<ul style="list-style-type: none">⑯ CÓDIGOS DE ERROR
04	<ul style="list-style-type: none">⑰ INFORMACIÓN TÉCNICA

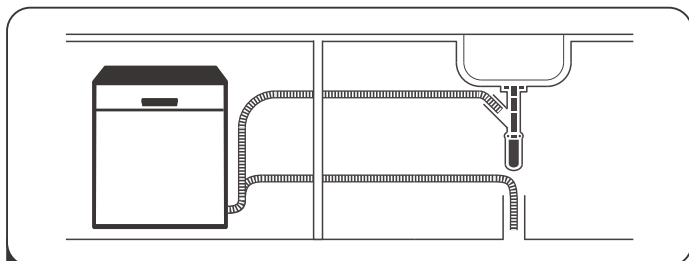


NOTA:

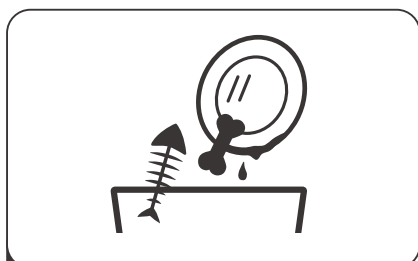
- Si no puede resolver los problemas por sí mismo, solicite ayuda a un técnico profesional.
- El fabricante, siguiendo una política de desarrollo y actualización constante del producto, puede realizar modificaciones sin previo aviso.
- Si se pierde o está desactualizado, puede recibir un nuevo manual de usuario del fabricante o proveedor responsable.

GUÍA RÁPIDA PARA EL USUARIO

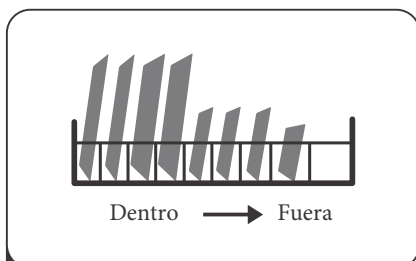
Lea el contenido correspondiente en el manual de instrucciones para conocer el método de operación detallado.



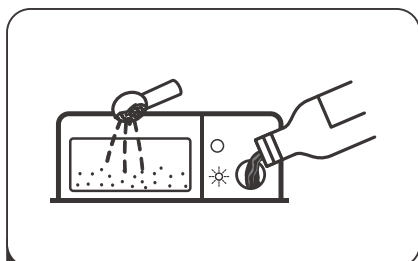
- 1** Instalar el lavavajillas
(Por favor verifique la sección 5 “INSTRUCCIONES DE INSTALACIÓN” de la PARTE I : Versión Genérica.)



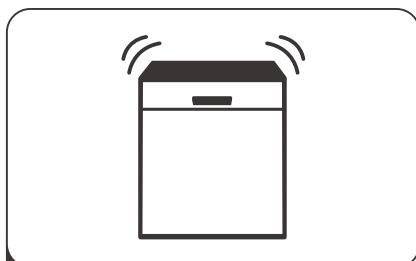
- 2** Eliminando el residuo más grande en los cubiertos.



- 3** Cargando las cestas



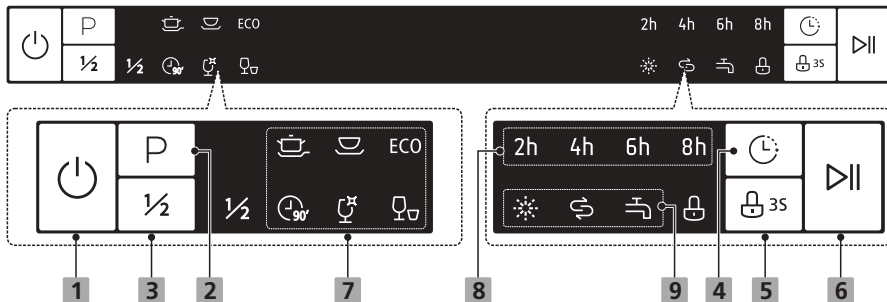
- 4** Llenando el dispensador



- 5** Seleccionando un programa y ejecutando el lavavajillas.

USANDO SU LAVAVAJILLAS












Panel de control



Operación (Botón)

1 Encendido	Presione este botón para encender su lavavajillas, la pantalla se ilumina.
2 Programa	Seleccione el programa de lavado apropiado, el indicador del programa seleccionado se encenderá.
3 Media Carga	Cuando no completes la carga, puede elegir este función para ahorrar energía y agua. (Solo se puede utilizar con Intensivo, Normal, ECO, 90 minutos).
4 Retraso	Presione el botón para configurar el tiempo de retardo, se encenderá el indicador correspondiente.
5 Bloqueo para niños	Esta opción le permite bloquear los botones en el panel de control, excepto el botón de Encendido, por lo que los niños no pueden iniciar accidentalmente el lavavajillas presionando los botones en el panel. Para bloquear o desbloquear los botones del panel de control, mantenga pulsada la tecla Botón durante 3 segundos.
6 Start / Pause	Para iniciar el programa de lavado seleccionado o hacer una pausa cuando el lavavajillas está funcionando.

Display

<p>7 Indicador de programa</p>	<p> Intensivo Para vajilla sucia más pesada, y ollas, sartenes, platos, etc., normalmente sucios, con alimentos secos.</p> <p> Universal For normally soiled loads, such as pots, plates, glasses and lightly soiled pans.</p> <p>ECO ECO Este es un programa estándar, es adecuado para limpiar vajillas normalmente sucias y es el programa más eficiente en términos de su consumo combinado de energía y agua para ese tipo de vajillas.</p> <p> 90 minutos Para cargas normalmente sucias que necesitan lavado rápido.</p> <p> Gristal Para vajillas y vidrios ligeramente sucios.</p> <p> Rápido Un lavado más corto para cargas poco sucias que no necesitan secado.</p>
<p>8 Boton inicio diferido</p>	<p>Para mostrar el tiempo de inicio diferido (2h/4h/6h/8h).</p>
<p>9 Indicador de advertencia</p>	<p> Abrillantador Si el "  " El indicador está encendido, significa que el lavavajillas está bajo en el abrillantador, enjuague y requiere una recarga.</p> <p> Sal Si el "  " indicador está encendido, lo que significa que el lavavajillas tiene poca sal del lavavajillas y debe rellenarse.</p> <p> Grifo Si el  El indicador está encendido, significa que el grifo de agua está cerrado.</p>

Suavizador de agua

El ablandador de agua se debe configurar manualmente, usando el disco de dureza del agua.

El ablandador de agua está diseñado para eliminar minerales y sales del agua, lo que podría tener un efecto perjudicial o adverso en el funcionamiento del aparato.

Cuanto más minerales hay, más dura es el agua.

El ablandador debe ajustarse de acuerdo con la dureza del agua en su área. Su Autoridad de Agua local puede aconsejarle sobre la dureza del agua en su área.

Ajuste del consumo de sal.

El lavavajillas está diseñado para permitir el ajuste de la cantidad de sal consumida en función de la dureza del agua utilizada. Con ello se pretende optimizar y personalizar el nivel de consumo de sal.

Siga los pasos a continuación para ajustar el consumo de sal.

1. Encienda el aparato;
2. Presione el botón de Inicio / Pausa durante más de 5 segundos para iniciar el modelo de conjunto de ablandador de agua dentro de los 60 segundos posteriores a la conexión del aparato;
3. Presione el botón Inicio / Pausa para seleccionar el conjunto adecuado de acuerdo con su entorno local, los conjuntos cambiarán en la siguiente secuencia:
H1-> H2-> H3-> H4-> H5-> H6;
4. Presione el botón de Encendido para finalizar el modelo de configuración.

DUREZA DEL AGUA				Nivel de ablandador de agua	Aparecer regeneración en secuencia de cada X programas	Consumo de sal (gramo/ciclo)
German °dH	French °fH	British °Clarke	Mmol/l			
0 - 5	0 - 9	0 - 6	0 - 0.94	H1->Rapid indicator flicker	Sin regeneración	0
6 - 11	10 - 20	7 - 14	1.0 - 2.0	H2->Glass indicators flicker	10	9
12 - 17	21 - 30	15 - 21	2.1 - 3.0	H3->Glass, Rapid indicators flicker	5	12
18 - 22	31 - 40	22 - 28	3.1 - 4.0	H4->90 mins indicator flicker	3	20
23 - 34	41 - 60	29 - 42	4.1 - 6.0	H5->90 mins, Rapid indicators flicker	2	30
35 - 55	61 - 98	43 - 69	6.1 - 9.8	H6->90 mins, Glass indicators flicker	1	60

1°dH=1,25 °Clarke=1,78 °fH=0,178mmol/l

Ajuste de fábrica: H3

1) Cada ciclo con operación de regeneración adicionalmente consumirá 2,0 litros de agua, el consumo de energía incrementa en 0,02kWh y el programa se extenderá en 4 minutos



Consulte la sección 3 “Cargar la sal en el suavizante” de la PARTE de la PARTE:

I : Versión genérica, si su lavavajillas carece de sal .



NOTA:

Si su modelo no tiene ningún ablandador de agua, puede omitir esta sección. Suavizador de agua

La dureza del agua varía de un lugar a otro. Si se utiliza agua dura en el lavaplatos, se formarán depósitos en los platos y utensilios.

El aparato está equipado con un suavizante especial que utiliza un recipiente de sal diseñado específicamente para eliminar la cal y los minerales del agua.

Preparación y carga de platos

- Considere comprar utensilios que estén identificados como aptos para lavavajillas.
- Para artículos particulares, seleccione un programa con la temperatura más baja posible.
- Para evitar daños, no saque los vasos y cubiertos del lavavajillas inmediatamente después de que el programa haya terminado.

Para lavar los siguientes cubiertos / platos.

No son adecuados

- Cubiertos con mangos de madera, porcelana de cuerno o nácar
- Artículos de plástico que no son resistentes al calor
- Cubiertos más viejos con partes encoladas que no son resistentes a la temperatura. Cubiertos o platos cubiertos.
- Artículos de peltre o cobre
- Vaso de cristal
- Artículos de acero sujetos a oxidación.
- Platos de madera
- Artículos hechos de fibras sintéticas.
Son de idoneidad limitada.
- Algunos tipos de vidrios pueden volverse opacos después de un gran número de lavados. Las piezas de plata y aluminio tienen tendencia a decolorarse durante el lavado. Los patrones de esmalte pueden desvanecerse si se lavan a máquina con frecuencia.

Recomendaciones para cargar el lavavajillas.

- Raspe las cantidades grandes de comida sobrante. Ablandar los restos de alimentos quemados en sartenes. No es necesario enjuagar los platos con agua corriente.
- Para obtener el mejor rendimiento del lavavajillas, siga estas pautas de carga.
- (Las características y el aspecto de las canastas y canastas para cubiertos pueden variar de su modelo).
- Coloque los objetos en el lavavajillas de la siguiente manera:
- Los artículos como tazas, vasos, ollas / sartenes, etc. están orientados hacia abajo.
- Los elementos curvos, o los que tienen rebajes, deben cargarse de manera inclinada para que el agua pueda escurrirse.
- Todos los utensilios están apilados de forma segura y no pueden volcarse.
- Todos los utensilios se colocan de manera que los brazos rociadores puedan girar libremente durante el lavado.
- Cargue artículos huecos, como tazas, vasos, sartenes, etc. Con la abertura hacia abajo para que el agua no pueda acumularse en el recipiente o en una base profunda.
- Los platos y artículos de cubertería no deben estar uno dentro del otro, ni taparse unos con otros. Para evitar daños, las gafas no deben tocarse.
- La cesta superior está diseñada para contener vajillas más delicadas y ligeras, como vasos, tazas de café y té.
- ¡Los cuchillos de hoja larga almacenados en posición vertical son un peligro potencial!
- Los artículos largos y / o afilados de los cubiertos, como los cuchillos para trinchar, deben colocarse horizontalmente en la cesta superior.
- Por favor, no sobrecargue su lavavajillas. Esto es importante para obtener buenos resultados y para un consumo razonable de energía.

NOTA:

Los artículos muy pequeños no deben lavarse en el lavaplatos ya que podrían caerse fácilmente de la canasta.

Quitando los platos

Para evitar que el agua gotee de la cesta superior a la cesta inferior, le recomendamos que primero vacíe la cesta inferior y luego la cesta superior.



ADVERTENCIA



¡Los artículos estarán calientes! Para evitar daños, no saque los vasos y cubiertos del lavavajillas durante aproximadamente 15 minutos después de que el programa haya finalizado.

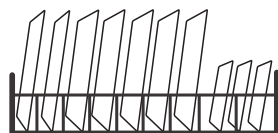
Cargando la cesta superior

La cesta superior está diseñada para aguantar más delicada y vajilla más ligera como vasos, tazas de café y té y platos, así como platos, tazones pequeños y poco profundos, sartenes (siempre que no estén muy sucias). Posicionar el platos y utensilios de cocina para que no sean movidos por El spray de agua.



Cargando la cesta inferior

Le sugerimos que coloque los artículos grandes y los más Los artículos difíciles de limpiar se colocarán en la parte inferior. cesta: como ollas, sartenes, tapas, platos y tazones para servir, como se muestra en la siguiente figura. Es preferible colocar Sirviendo platos y tapas en el lado de las rejillas para Evite bloquear la rotación del brazo rociador superior. El diámetro máximo aconsejado para placas frente a la El dispensador de detergente es de 19 cm, esto no impide que la apertura de la misma.



Cargando la canasta de cubiertos

Los cubiertos deben colocarse en el estante de los cubiertos separados unos de otros en las posiciones apropiadas, y asegúrese de que los utensilios no se aniden, ya que esto puede causar un mal desempeño.

ADVERTENCIA



No dejes que ningún artículo se extienda por la parte inferior.
¡Siempre cargue los utensilios afilados con la punta afilada hacia abajo!



Para obtener el mejor efecto de lavado, cargue las cestas, consulte el estándar. Para obtener el mejor efecto de lavado, cargue las cestas, consulte las opciones de carga estándar en la última sección de las opciones de carga de PARTES en la última sección de la PARTE I : G: Versión genérica Versión general


Función de la ayuda de enjuague y detergente

El agente de enjuague se libera durante el enjuague final para evitar que el agua forme gotas en sus platos, lo que puede dejar manchas y rayas. También mejora el secado al permitir que el agua salga de los platos. Su lavaplatos está diseñado para usar ayudas de enjuague líquido.

ADVERTENCIA

Utilice únicamente un agente de enjuague de marca para lavavajillas. Nunca llene el dispensador de agente de enjuague con ninguna otra sustancia (por ejemplo, agente de limpieza para lavavajillas, detergente líquido). Esto dañaría el aparato.

Cuándo rellenar el dispensador de abrillantador.

A menos que la luz de advertencia de enjuague () en el Indicador de nivel de enjuague
el control panel está encendido, siempre se puede estimar la cantidad de la
Color del indicador de nivel óptico situado junto a la tapa.

Cuando el contenedor de enjuague esté lleno, el indicador estará

completamente oscuro El tamaño del punto oscuro disminuye a medida que el
enjuague

la ayuda disminuye Nunca debes dejar que el nivel de abrillantador sea
menos de 1/4 lleno.

A medida que disminuye el agente de enjuague, el tamaño del punto negro en el
indicador de nivel de agente de enjuague cambia, como se ilustra a continuación.

Completo 3/4 1/2 1/4 Vacío

Función del detergente.

Los ingredientes químicos que componen el detergente son necesarios para eliminar, aplastar y eliminar toda la suciedad del lavavajillas. La mayoría de los detergentes de calidad comercial son adecuados para este propósito.

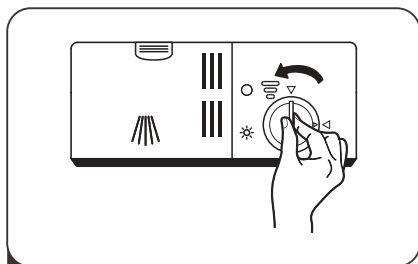
ADVERTENCIA

- Uso correcto del detergente
Utilice únicamente detergentes hechos específicamente para lavavajillas. Mantenga su detergente fresco y seco.
No ponga detergente en polvo en el dispensador hasta que esté listo para lavar platos

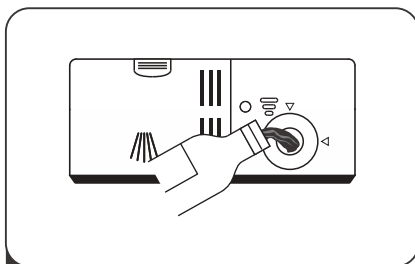


El detergente para lavavajillas es corrosivo! Mantenga el
detergente para lavavajillas fuera del alcance de los niños.

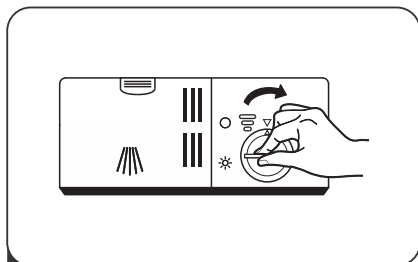
Llenado del depósito de enjuague



- 1 Retire la tapa del depósito de agente de enjuague girándola hacia la izquierda.



- 2 Vierta cuidadosamente el enjuague en su dispensador, evitando que se desborde.



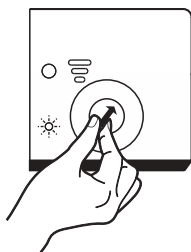
- 3 Cierre la tapa del depósito de agente de enjuague girándola hacia la derecha.



NOTA:

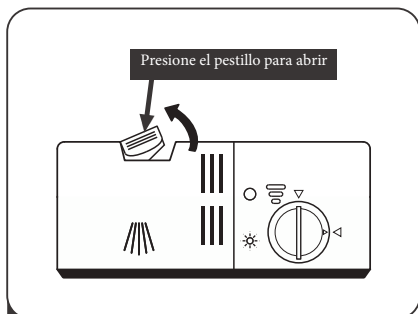
Limpie cualquier agente de enjuague derramado con un paño absorbente para evitar la formación de espuma excesiva durante el próximo lavado.

Ajuste del depósito de abrillantador

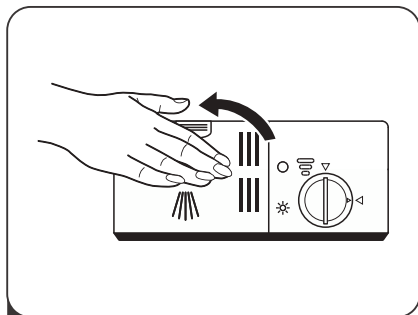


Gire el dial indicador de agente de enjuague a un número entre 1 y 6. Cuanto más alto sea el número, más líquido de enjuague usa el lavavajillas. Si los platos no se secan correctamente o están manchados, ajuste el dial al siguiente número más alto hasta que sus platos no tengan manchas. Redúzcalo si hay manchas pegajosas de color blanquecino en sus platos o una película azulada sobre la cristalería o las cuchillas de los cuchillos.

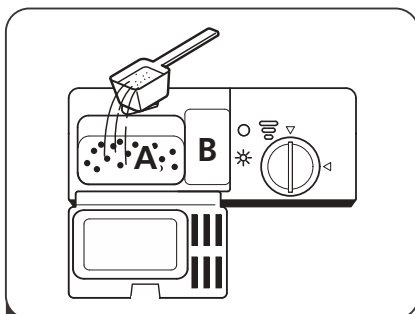
Llenar El Dispensador De Detergente



- 1 Presione el pestillo para abrir Presione la pestaña de liberación del dispensador de detergente para abrir la tapa.



- 3 Cierre la tapa y presione sobre ella hasta se bloquea en su lugar.



- 2 Agregue detergente en la cavidad más grande (A) para el ciclo de lavado principal.
Para cargas de lavado más sucias, también agregue un poco de detergente en la cavidad más pequeña (B) para el ciclo de prelavado.



NOTA:






- Tenga en cuenta que dependiendo de la suciedad del agua, la configuración puede ser diferente.
- Tenga en cuenta las recomendaciones del fabricante en el envase del detergente.

PROGRAMANDO EL LAVAVAJILLAS

Mesa de ciclo de lavado

La siguiente tabla muestra qué programas son mejores para los niveles de residuos de alimentos sobre ellos y cuánto detergente se necesita. También muestra información variada sobre los programas.

● Medios: es necesario rellenar el enjuague en el dispensador de enjuague.

Programa	Ciclo	Detergente	Tiempo(min)	Energía (kWh)	Agua (L)	Abrillantador
 Intensivo	Pre-lavado(50)C					
	Lavado (65)C					
	Enjuague	4/16g	205	1.621	17.8	●
	Enjuague	(1 or 2 pieces)				
	Enjuague(65)C					
Secado						
 Universal	Lavado(45)C					
	Enjuague(55)C					
	Enjuague	4/16g	175	1.302	14.2	●
	Enjuague(65)C	(1 or 2 pieces)				
	Secado					
ECO (*EN60436)	Pre-lavado					
	Lavado(45)C					
	Enjuague (60)C	4/16g	230	0.923	11.0	●
	Secado	(1 or 2 pieces)				
 Glass	Lavado					
	Enjuague(50)C					
	Enjuague	4/16g	120	1.100	14.2	●
	Enjuague(65)C	(1 piece)				
	Secado					
 90 mins	Lavado (60)C					
	Enjuague					
	Enjuague(65)C	20g	90	1.35	11.5	●
	Secado	(1 piece)				
 Rápido	Lavado (50)C					
	Enjuague					
	Enjuague(45)C	20g	30	0.751	11.2	○
		(1 piece)				

NOTA:

ECO (*EN60436): El programa ECO es aplicable para limpiar la vajilla sólida, que para este uso, es el programa más eficiente en materia del consumo combinado de energía y agua, y se lo utiliza para evaluar el performance con legislación de diseño ecológico de EU.

Ahorro de Energía

1. El pre-enjuague de los artículos de vajilla causará un consumo aumentado de agua y energía, y no se lo recomienda.

2. Lavar la vajilla en el lavaplatos doméstico normalmente consumirá energía y agua menores en la fase de uso que el lavado con mano si utiliza el lavaplatos doméstico de acuerdo con las instrucciones.

Comenzando un ciclo de lavado

1. Saque la cesta inferior y superior, cargue los platos y empújelos hacia atrás.

Se recomienda cargar primero la cesta inferior y luego la superior.

2. Deposita el detergente.

3. Inserte el enchufe en el zócalo. La fuente de alimentación se refiere a la última página "Ficha de producto". Asegúrese de que el suministro de agua esté abierto a la presión máxima.

4. Cierre la puerta, presione el botón de Encendido, para encender la máquina.

5. Elija un programa, la luz de respuesta se encenderá. Luego presione el botón Inicio / Pausa, el lavavajillas comenzará su ciclo.

Cambiando el programa de medio ciclo

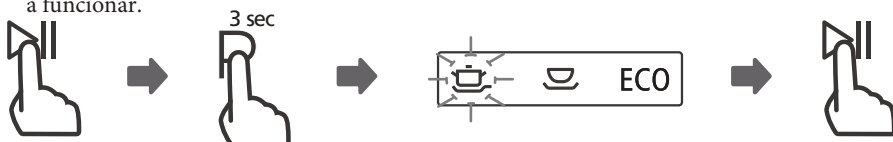
Un ciclo de lavado solo se puede cambiar si ha estado funcionando por un corto tiempo, de lo contrario, es posible que el detergente ya se haya liberado y que el lavavajillas ya haya drenado el agua de lavado. Si este es el caso, se debe reiniciar el lavavajillas y se debe rellenar el dispensador de detergente. Para restablecer el lavavajillas, siga las instrucciones a continuación:

1. Presione el botón Inicio / Pausa para pausar el lavado.

2. Presione el botón de Programa por más de 3 segundos - el programa se cancelará.

3. Presione el botón Programa para seleccionar el programa deseado.

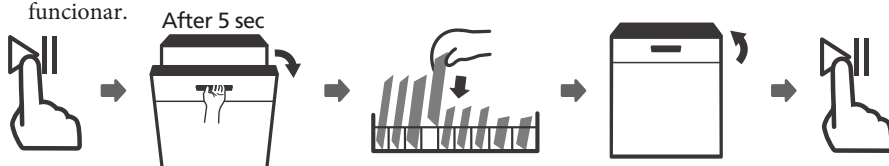
4. Presione el botón de Inicio / Pausa, después de 10 segundos, el lavavajillas comenzará a funcionar.



• Olvidaste agregar un plato?

Se puede agregar un plato olvidado en cualquier momento antes de que se abra el dispensador de detergente. Si este es el caso, siga las instrucciones a continuación:

1. Presione el botón Inicio / Pausa para pausar el lavado.
2. Espere 5 segundos y luego abra la puerta.
3. Añadir los platos olvidados.
4. Cierre la puerta.
5. Presione el botón de Inicio / Pausa después de 10 segundos, el lavavajillas comenzará a funcionar.



⚠ ADVERTENCIA



Es peligroso abrir la puerta a mitad del ciclo, ya que el vapor caliente puede quemarle.

CÓDIGOS DE ERROR

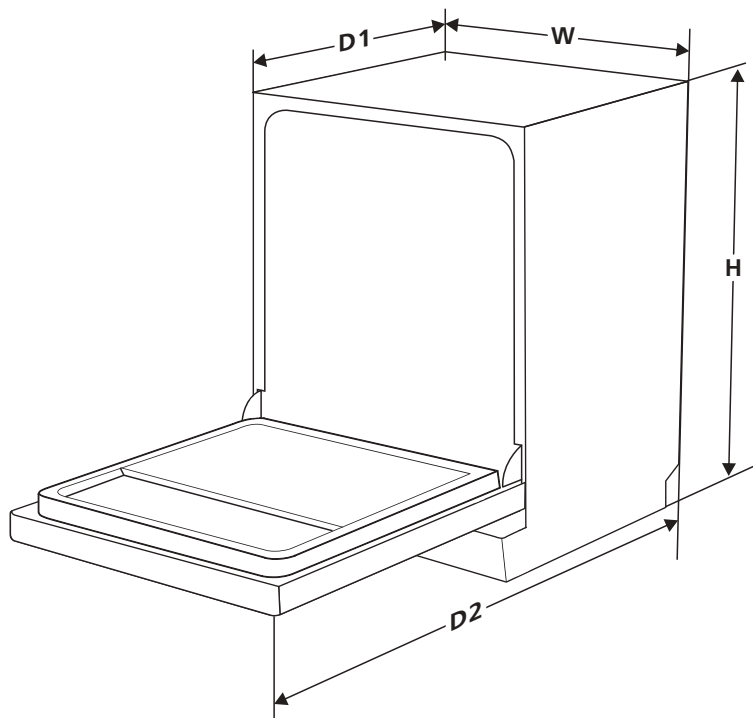
Si hay un mal funcionamiento, el lavavajillas mostrará códigos de error para identificarlos:

Códigos	Significado	Posibles causas
La luz de Rápido parpadeo fugaz	Tiempo de entrada más largo.	Los grifos no están abiertos, o el consumo de agua está restringido o la presión del agua es demasiado baja.
La luz de 90min parpadea	No alcanzar la temperatura requerida.	Mal funcionamiento del elemento calefactor.
La luz de 90 minutos parpadeo fugaz	Rebosar.	Algún elemento del lavavajillas gotea.
la Luz de ECO y VASOS parpadea	Fallo de comunicación entre la PCB principal con el display.	el circuito abierto or cable roto

⚠ ADVERTENCIA

- Si se produce un desbordamiento, cerrar el suministro principal de agua y llame al servicio de mantenimiento.
- Si hay agua en la fuente de la base por rebalsar o alguna pérdida de agua, ésta debe extraerse antes de reiniciar el lavavajillas.
- Si hay una falla, el lavavajillas mostrará un código de error. La siguiente tabla muestra posibles códigos de error y sus causas.

INFORMACIÓN TÉCNICA



Alto (H)	845mm
Ancho (W)	598mm
Profundidad (D1)	600mm (puerta cerrada)
Profundidad (D2)	1175mm (puerta abierta 90°)

Ficha de producto (EN60436)

Proveedor: CORBERO

Dirección de Proveedor: KURBIN LANE, S.L. Pº del Ferrocarril, 335 4º 2º 08860 Castelldefels
Barcelona Spain VAT number ES B65050288

Modelo: E-CLVM6419W E-CLVM6419X

Ficha de producto:

Parametro	Valor	Parameter	Value	
Capacidad nominal (a) (ps)	12	dimensiones en cm	alto	85
			ancho	60
			profundo	60
EEl ^(a)	55,9	clase de eficiencia energética	E ^(c)	
Índice de rendimiento de limpieza (a)	1,125	Índice de rendimiento de secado (a)	1,065	
Consumo de energía en kWh [por ciclo], basado en el programa eco usando llenado de agua fría. El consumo de energía real dependerá de cómo se utilice el aparato.	0,923	Consumo de agua en litros [por ciclo], basado en el programa eco. El consumo real de agua dependerá de cómo se utilice el aparato y de la dureza del agua.	11,0	
Duración del programa (a) (h: min)	3:50	tipo	Free standing	
Emissiones de ruido acústico aéreo (a) (dB (A) re 1 pW)	49	Airborne acoustical noise emission class ^(a)	C ^(c)	
modo apagado (w)	0,49	Modo de espera (W)	N/A	
Inicio diferido (W) (si corresponde)	1,00	networked standby (W) (si corresponde)	N/A	

Duración mínima de la garantía ofrecida por el proveedor (b): **24 months.**

Información adicional

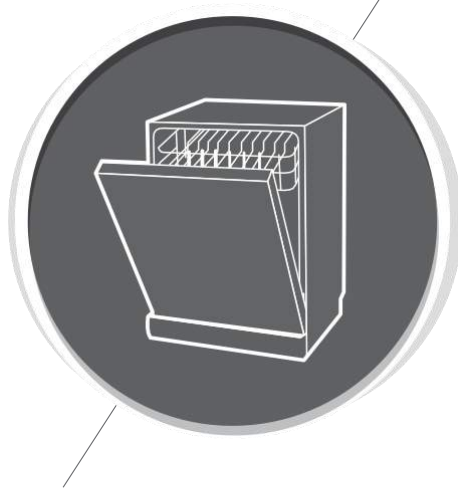
Enlace web al sitio web del proveedor, donde se encuentra la información del punto 6 del anexo II del Reglamento (UE) 2019/2022 de la Comisión (1)(b): **www.corbero.es**

(a) para el programa eco.

(b) los cambios en estos elementos no se considerarán relevantes a los efectos del párrafo 4 del Artículo 4 del Reglamento (UE) 2017/1369.

(c) si la base de datos de productos genera automáticamente el contenido definitivo de esta celda, el proveedor no deberá ingresar estos datos.

(1)Reglamento (UE) 2019/2022 de la Comisión, de 1 de octubre de 2019, por el que se establecen requisitos de diseño ecológico para lavavajillas domésticos de conformidad con la Directiva 2009/125 / CE del Parlamento Europeo y del Consejo que modifica el Reglamento (CE) No. 1275/2008 de la Comisión y deroga la Comisión. Reglamento (UE) No. 1016/2010 (véase la página 267 de este Diario Oficial).



Manual de Instruções

PARTE 1: Versão Genérica

E-CLVM6419W

E-CLVM6419X

Corberô

Leia atentamente este manual
antes de usar a máquina de
lavar louça.

Guarde este manual para referência futura.

CONTEÚDO

01	3	Informação de segurança
02	8	Descrição do produto
03	9	Usar a máquina de lavar louça
	9	Carregar o sal no descalcificador
	11	Conselhos
04	13	MANUTENÇÃO E LIMPEZA
		Cuidados externos
	13	Cuidados internos
	13	Cuidado da máquina de lavar louça
05	17	INSTRUÇÕES DE INSTALAÇÃO
	17	Ligação elétrica
	18	Abastecimento de água e drenagem
	19	Ligação das manguerias de drenagem
	20	Coloque o dispositivo
	20	Instalação livre
	21	Instalação incorporada (para o modelo embutido)
06	26	CONSELHOS PARA SOLUCIONAR PROBLEMAS
07	30	CARREGAR OS CESTOS DE ACORDO COM



NOTA:

- Consultar a secção Sugestões para a resolução de problemas irá ajudá-lo a resolver alguns problemas comuns.
- Se não conseguir resolver os problemas sozinho, peça a ajuda de um técnico profissional.
- O fabricante, seguindo uma política de constante desenvolvimento e atualização de produtos, pode fazer modificações sem aviso prévio.
- Caso se perca ou esteja desatualizado, pode receber um novo manual do fabricante ou vendedor responsável.

INFORMAÇÃO DE SEGURANÇA

⚠️ ADVERTÊNCIA

Ao usar a sua máquina de lavar louça, siga as precauções abaixo:

Este dispositivo destina-se a ser usado em aplicações domésticas e similares, tais como:

- áreas de cozinha em lojas, escritórios e outros ambientes de trabalho;
- casas de campo;
- por clientes em hotéis, motéis e outros ambientes residenciais;
- ambientes tipo *bed and breakfast*

Este aparelho pode ser utilizado por crianças a partir dos 8 anos de idade e por pessoas com capacidades físicas, sensoriais ou mentais reduzidas ou com falta de experiência e conhecimentos, se lhes tiver sido dada supervisão ou instruções relativas à utilização do eletrodoméstico de uma forma segura e eles compreendam os perigos envolvidos.

As crianças não devem brincar com o aparelho. A limpeza e a manutenção por parte do utilizador não devem ser feitas por crianças sem supervisão. (Para EN60335-1)

Este aparelho não deve ser utilizado por pessoas (incluindo crianças) com capacidades físicas, sensoriais ou mentais reduzidas, ou falta de experiência e conhecimento, a menos que tenham recebido supervisão ou instruções relativas ao uso do aparelho por uma pessoa responsável pela sua segurança. (Para IE60335-1)

- O material de embalagem pode ser perigoso para as crianças!
- Este aparelho é apenas para uso doméstico em interiores.
- Para se proteger contra o risco de choque elétrico, não mergulhe a unidade, o cabo ou a ficha em água ou outro líquido.
- Desligue antes dos trabalhos de limpeza e manutenção do aparelho.
- Use um pano macio humedecido com sabão suave e depois use um pano seco para o limpar novamente.



Instruções de ligação à terra

- Este aparelho deve ser ligado à terra. Em caso de mau funcionamento ou avaria, a ligação à terra reduzirá o risco de choque elétrico, proporcionando um caminho de menor resistência à corrente elétrica. Este aparelho está equipado com uma ficha condutora de ligação à terra.
- A tomada deve ser ligada a uma tomada apropriada, instalada e com ligação à terra de acordo com todos os códigos e portarias locais.
- A ligação incorreta do condutor de ligação à terra do equipamento pode resultar num risco de choque elétrico.
- Verifique com um eletricista qualificado ou um representante da assistência técnica se tiver dúvidas sobre se o aparelho está devidamente ligado à terra.

- Não modifique a ficha fornecida com o aparelho; se este não encaixar na tomada.
- Peça a um electricista qualificado para instalar uma tomada adequada.
- Não abuse, nem se sente ou fique em pé sobre a porta ou o tabuleiro da máquina de lavar louça.
- Não utilize a sua máquina de lavar louça, a menos que todos os painéis estejam corretamente posicionados.
- Abra a porta com muito cuidado. Se a máquina de lavar louça estiver a funcionar, há o risco de haver fugas de água.
- Não coloque objetos pesados ou fique de pé sobre a porta quando ela estiver aberta.
- O aparelho pode inclinar-se para a frente.
Ao carregar artigos para lavar:
 - 1) Localize os objetos afiados para que não danifiquem a vedação da porta;
 - 2) Atenção: As facas e outros utensílios de ponta afiada devem ser carregados no cesto com as pontas para baixo ou colocados horizontalmente.
- Alguns detergentes para máquinas de lavar louça são fortemente alcalinos. Podem ser extremamente perigosos se ingeridos. Evite o contacto com a pele e os olhos e mantenha as crianças afastadas da máquina de lavar louça quando a porta estiver aberta.
- Verifique se o depósito do detergente está vazio após completar o ciclo de lavagem.

- Não lave artigos de plástico, a menos que estejam marcados como "aptos para a máquina de lavar louça" ou equivalente.
- Para artigos de plástico não marcados, verifique as recomendações do fabricante.
- Utilize apenas detergentes e agentes de enxaguamento recomendados para utilização na máquina de lavar louça.
- Nunca use sabão, detergente de roupa ou detergente para lavar as mãos na sua máquina de lavar louça.
- A porta não deve ser deixada aberta, pois isso poderia aumentar o risco de mau funcionamento.
Se o cabo de alimentação estiver danificado, deve ser substituído pelo fabricante, o seu agente de serviço ou pessoas com qualificações semelhantes, a fim de evitar qualquer perigo.
- Durante a instalação, a fonte de alimentação não deve ser dobrada ou achatada de forma excessiva ou perigosa.
- Não mexa nos controlos.
- O eletrodoméstico deve ser ligado à válvula de água principal com novos conjuntos de mangueiras. Os acessórios antigos não devem ser reutilizados.
- Para poupar energia, em modo de espera, o aparelho desliga-se automaticamente quando não há funcionamento durante 15 minutos.
- O número máximo de ajustes para lavar é de 12.
- A pressão máxima permitida de entrada de água é de 1MPa.
- A pressão mínima permitida de entrada de água é de 0,04MPa.

• Eliminação de resíduos

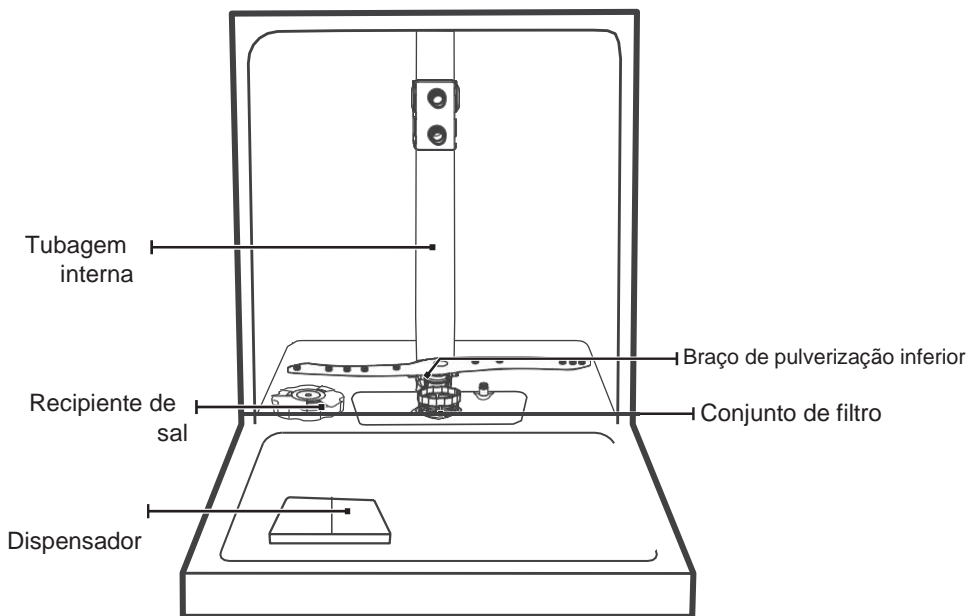
- Para eliminar a embalagem e o eletrodoméstico, dirija-se a um centro de reciclagem. Portanto, corte o cabo de alimentação e inutilize o dispositivo de fecho da porta.
- As embalagens de cartão são feitas de papel reciclado e devem ser descartadas em contentores de reciclagem de papel usado.
- Ao garantir que este produto seja descartado corretamente, ajudará a evitar possíveis consequências negativas para o meio ambiente e para a saúde humana, que poderiam ser causadas pelo manuseio inadequado deste produto.
- Para informações mais detalhadas sobre a reciclagem deste produto, por favor contacte o escritório local da sua cidade e o seu serviço de eliminação de resíduos domésticos.
- **ELIMINAÇÃO:** Não elimine este produto como lixo municipal não separado. Recicle esses resíduos separadamente, pois é necessário um tratamento especial.



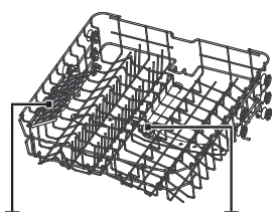
DESCRIÇÃO DO PRODUTO

IMPORTANTE:

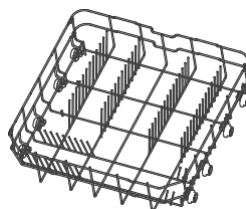
Para obter o melhor desempenho da sua máquina de lavar loiça, leia todas as instruções de utilização antes de a utilizar pela primeira vez.



cesto para
talheres.



Braço de pulverização superior
Cesto superior zona para copos



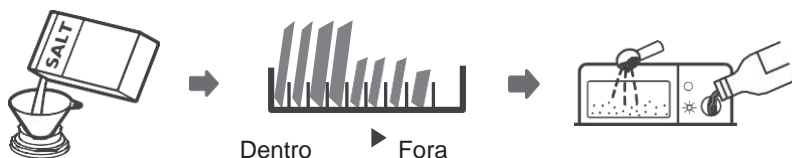
cesto inferior



As imagens são apenas para referência, alguns modelos podem ser diferentes

USAR A SUA MÁQUINA DE LAVAR LOUÇA

Antes de usar a sua máquina de lavar louça:



1. Configure o descalcificador de água
2. Coloque o sal no descalcificador
3. Coloque o cesto
4. Encha o doseador

Consulte a secção 1 "Descalcificador de água" da PARTE I.

Consulte a secção 1 "Descalcificador de água" da PARTE II:

Versão especial.

Se precisar de configurar o descalcificador de água, consulte.

CARREGAR O SAL NO DESCALCIFICADOR

NOTA:

Se o seu modelo não tiver qualquer descalcificador de água, pode omitir esta secção. Use sempre sal na máquina de lavar louça.

O recipiente de sal está localizado debaixo do cesto inferior e deve ser enchido como explicado a seguir:

ADVERTÊNCIA

Use apenas sal especificamente concebido para uso na máquina de lavar louça!

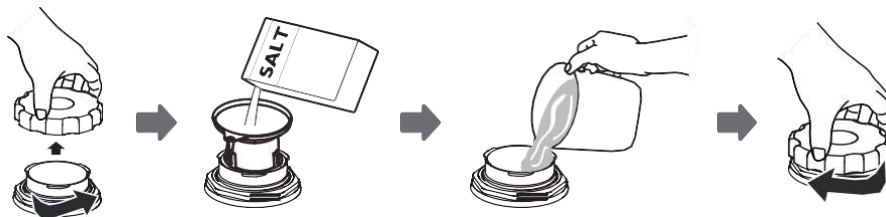
Qualquer outro tipo de sal não especificamente concebido para uso na máquina de lavar louça, especialmente sal de mesa, irá danificar o descalcificador de água.

Em caso de danos causados pelo uso de sal inadequado, o fabricante não dá qualquer garantia e não se responsabiliza pelos danos causados.

Recarregue com sal antes de fazer um ciclo.


Isto evitará que grãos de sal ou água salgada derramada permaneçam no fundo da máquina durante um período de tempo que possa causar corrosão.

Siga os passos abaixo para adicionar sal à máquina de lavar louça:



1. Retire o cesto inferior e desenrosque a tampa do depósito.
2. Coloque a extremidade do funil (fornecido) no orifício e despeje aproximadamente 1,5 kg de sal na máquina de lavar louça.
3. Encha o recipiente de sal até à sua capacidade máxima com água. É normal que uma pequena quantidade de água saia do recipiente de sal.
4. Depois de encher o recipiente, volte a enroscar a tampa.
5. A luz de aviso de sal apagar-se-á depois de o recipiente de sal ter sido cheio com sal.
6. Imediatamente após a colocação do sal no recipiente de sal, deve ser iniciado um programa de lavagem (sugerimos a utilização de um programa curto). Caso contrário, o sistema de filtragem, a bomba ou outras peças importantes da máquina podem ser danificadas por água salgada. Isto está fora da garantia.

Nota:

O recipiente de sal só deve ser novamente cheio quando a luz de aviso de sal  no painel de controlo acender.

Dependendo de quão bem o sal esteja dissolvido, a luz de aviso de sal ainda pode estar ligada, mesmo que o recipiente de sal esteja cheio.

Se não houver luz de aviso de sal no painel de controlo (para alguns modelos), pode calcular quando o sal deve ser colocado no descalcificador pelo número de ciclos de lavagem.

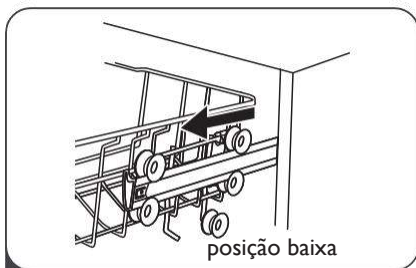
Se tiver derramado sal, faça uma pré-lavagem ou um programa rápido para o remover.

Conselhos

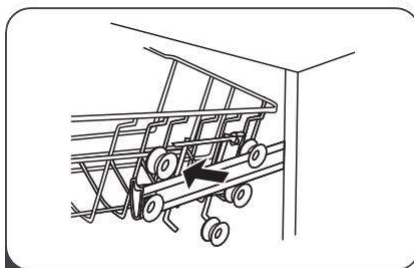
Ajustar o tabuleiro superior

A altura do tabuleiro superior pode ser facilmente ajustada para acomodar pratos mais altos no tabuleiro superior ou inferior

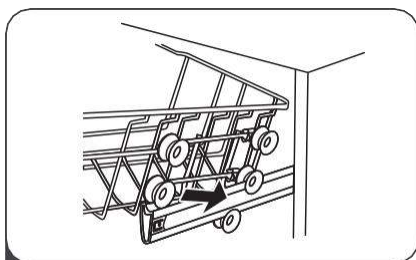
Para ajustar a altura do tabuleiro superior, siga estes passos:



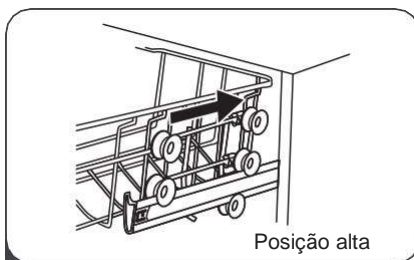
1 Puxe o tabuleiro superior.



2 Retire o tabuleiro superior.



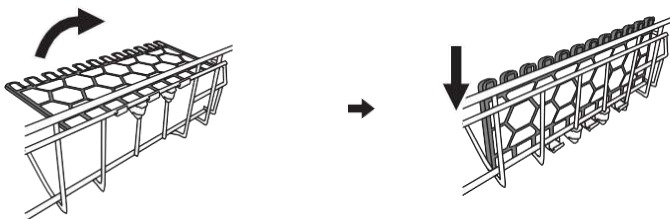
3 Volte a colocar o tabuleiro superior nas rodas superiores ou inferiores.



4 Empurre o tabuleiro superior.

Dobrar as prateleiras de copos

Para criar espaço para artigos mais altos, levante a grelha dos copos para cima. Também pode eliminá-la quando o seu uso não for necessário.



LIMPEZA E MANUTENÇÃO

• Cuidados externos

A porta e a vedação da porta

Limpe regularmente as vedações das portas com um pano macio e húmido para remover depósitos de alimentos. Quando a máquina de lavar louça estiver carregada, os resíduos de alimentos e bebidas podem pingar pelos lados da porta da máquina de lavar louça. Estas superfícies estão fora da área de lavagem e a água não provém dos braços de pulverização. Qualquer depósito deve ser limpo antes de a porta ser fechada.

Painel de controlo

O painel de controlo deve ser limpo APENAS com um pano macio e húmido.

ADVERTÊNCIA

- Para evitar a penetração de água na fechadura da porta e nos componentes elétricos, não utilize um produto de limpeza em aerossol de qualquer tipo.
- Nunca utilize produtos de limpeza abrasivos ou esfregões em superfícies externas, pois estes podem riscar o acabamento. Algumas toalhas de papel também podem riscar ou deixar marcas na superfície.

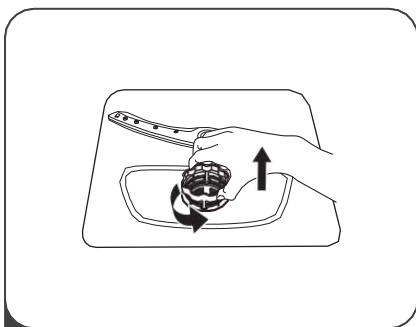
• Cuidados internos

Sistema de filtros

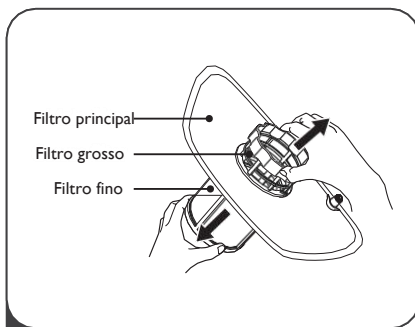
O sistema de filtragem na base do armário de lavagem retém os detritos grosseiros do ciclo de lavagem, incluindo objetos estranhos como palitos ou fragmentos. Os detritos grosseiros recolhidos podem causar a obstrução dos filtros. Verifique periodicamente o estado dos filtros. Remova cuidadosamente os objetos estranhos e limpe as peças do sistema de filtragem com água, se necessário. Siga os passos abaixo para limpar o filtro.

NOTA:

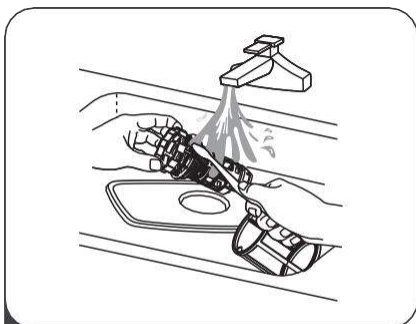
As imagens são apenas para referência, diferentes modelos do sistema de filtração e os braços pulverizadores podem ser diferentes.



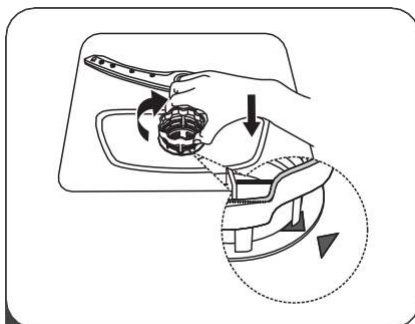
Segure o filtro grosso e gire-o no sentido contrário aos ponteiros do relógio para destravar o filtro. Levante o filtro e retire-o da máquina de lavar louça.



O filtro fino pode ser removido do fundo do conjunto do filtro. O filtro grosso pode ser separado do filtro principal apertando suavemente as abas na parte superior e puxando-o para fora.



1 Os resíduos alimentares maiores podem ser limpos lavando o filtro com água corrente. Para uma limpeza mais profunda, utilize uma escova de limpeza macia.



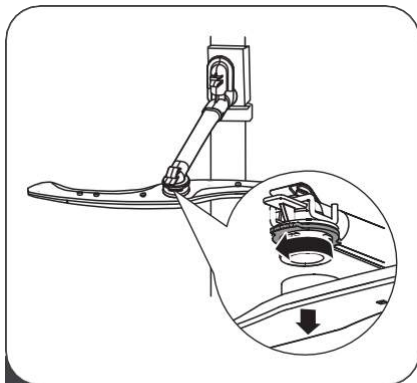
4 Volte a colocar os filtros na ordem inversa de desmontagem, volte a montar o filtro e rode-o no sentido horário até à seta de bloqueio.

⚠️ ADVERTÊNCIA

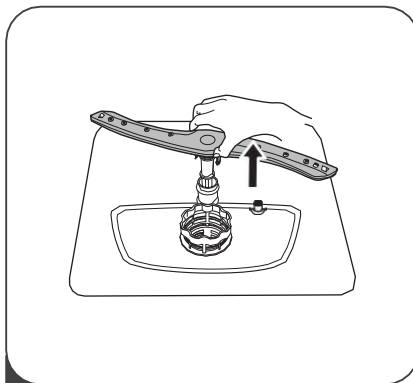
- Não aperte demasiado os filtros. Volte a colocar os filtros de forma segura em sequência, caso contrário a sujidade grossa pode entrar no sistema e causar um bloqueio.
- **NUNCA** utilize a máquina de lavar louça sem os filtros instalados. A substituição incorreta do filtro pode reduzir o nível de desempenho do eletrodoméstico e danificar pratos e utensílios.

Braços pulverizadores

É necessário limpar regularmente os braços de pulverização, uma vez que os químicos da água dura irão entupir os rolamentos e os jatos dos braços de pulverização. Para limpar os braços de pulverização, siga as instruções abaixo:



Para remover o braço de pulverização superior, segure a porca no centro da roda e rode o braço de pulverização no sentido contrário ao dos ponteiros do relógio para o remover.



Para remover o braço de pulverização inferior, puxe o braço de pulverização para cima.



Lave os braços em água morna e ensaboada e use uma escova macia para limpar os jatos. Coloque-os depois de os enxaguar completamente.

Cuidados com a máquina de lavar

Precauções contra geada

Tome medidas de proteção contra geadas na máquina de lavar louça no Inverno. Todos os ciclos pós-lavagem funcionam da seguinte forma:

1. Desligue a energia para a máquina de lavar louça na fonte de alimentação.
2. Desligue o fornecimento de água e desligue a tubagem de entrada de água da válvula de água.
3. Drene a água da tubagem de entrada e a válvula de água. (Use uma frigideira para recolher a água)
4. Volte a ligar o tubo de entrada de água à válvula de água.
5. Retire o filtro no fundo da cuba e use uma esponja para absorver a água no dreno.

Depois de cada lavagem

Após cada lavagem, desligue o fornecimento de água ao aparelho e deixe a porta ligeiramente aberta para que a humidade e os odores não fiquem retidos no interior.

Retire a ficha

Antes da limpeza ou manutenção, retire sempre a ficha da tomada.

Sem solventes ou limpeza com abrasivos

Para limpar o exterior e as partes de borracha da máquina de lavar louça, não utilize solventes ou agentes de limpeza abrasivos. Basta usar um pano com água morna e sabão.

Para remover manchas ou manchas da superfície interior, utilize um pano humedecido com água e um pouco de vinagre ou um produto de limpeza feito especificamente para máquinas de lavar louça.

Quando não estiver em uso por um longo período de tempo

Recomenda-se que faça um ciclo de lavagem com a máquina de lavar louça vazia e depois retire a ficha da tomada, desligue o abastecimento de água e deixe a porta do aparelho ligeiramente aberta. Isto ajudará a que as vedações das portas durem mais tempo e evitará a formação de odores no interior do aparelho.

Mover o aparelho

Se o eletrodoméstico tiver de ser movido, tente mantê-lo na posição vertical. Se for absolutamente necessário, pode ser colocado de costas.

INSTRUÇÕES DE INSTALAÇÃO

⚠ ADVERTÊNCIA



Perigo de choque elétrico Desligue a energia elétrica antes de instalar a máquina de lavar loiça. Não o fazer pode resultar em morte ou choque elétrico.

Atenção

A instalação de tubagens e equipamentos elétricos deve ser realizada por profissionais.

• Sobre a ligação de alimentação

⚠ ADVERTÊNCIA

Para segurança pessoal:

- Não utilize um cabo de extensão ou ficha adaptadora com este eletrodoméstico.
- Não corte ou remova a ligação à terra do cabo de alimentação em nenhuma circunstância.

Requisitos elétricos

Consulte a etiqueta de classificação para a classificação de tensão nominal e ligue a máquina de lavar loiça à fonte de alimentação apropriada. Utilize o fusível necessário 10A / 13A / 16A, fusível de retardação ou disjuntor recomendado e forneça um circuito separado que sirva apenas este eletrodoméstico.

Ligação elétrica

Certifique-se de que a tensão e a frequência da corrente correspondem às da placa de características. Insira a ficha apenas numa tomada que esteja devidamente ligada à terra. Se a tomada elétrica a que o aparelho vai ser ligado não for adequada para a ficha, substitua a ficha, em vez de utilizar um adaptador ou similar, pois isso pode causar sobreaquecimento e queimaduras.

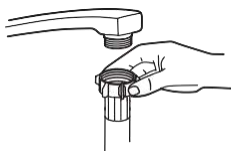
⚠Assegure uma ligação à terra adequada antes de usar

Abastecimento e drenagem de água

Ligação de água fria

Ligue a mangueira de abastecimento de água fria a um conector roscado de 3/4 (polegadas) e certifique-se de que está bem presa no lugar.

Se os tubos de água forem novos ou não foram usados por um longo período de tempo, deixe a água correr para garantir que a água esteja limpa. Esta precaução é necessária para evitar o risco de a entrada de água ficar bloqueada e danificar o aparelho.



Mangueira de abastecimento normal



Mangueira de abastecimento de segurança

Ligação da mangueira de abastecimento de segurança

A mangueira de abastecimento de segurança é constituída por paredes duplas. O sistema da mangueira assegura a sua intervenção bloqueando o fluxo de água em caso de rutura da mangueira de abastecimento e quando o espaço de ar entre a mangueira de abastecimento e a mangueira externa estiver cheio de água.

⚠ ADVERTÊNCIA

Uma mangueira que se liga à pia pode rebentar se for instalada na mesma linha de água que a máquina de lavar louça. Se o seu lava-louça tiver uma, é recomendável desligar a mangueira e tapar o furo.

Como ligar a mangueira de abastecimento de segurança

1. Retire as mangueiras de segurança completamente do compartimento de armazenamento na parte de trás da máquina de lavar louça.
2. Aperte os parafusos da mangueira de alimentação de segurança na torneira roscada de ¾ polegadas.
3. Ligue a água completamente antes de ligar a máquina de lavar louça.

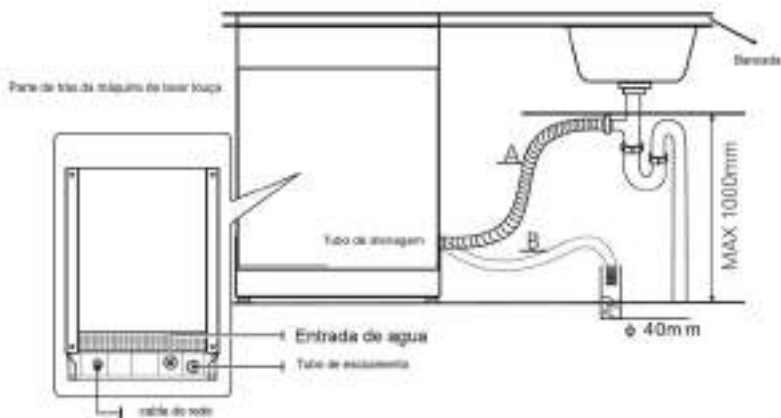
Como desligar a mangueira de abastecimento de segurança

1. Desligue a água.
2. Desaparafuse a mangueira de abastecimento de segurança da torneira.

Ligação de mangueiras de drenagem

Insira a mangueira de drenagem num tubo de drenagem com um diâmetro mínimo de 4 cm ou deixe-a entrar na pia, certificando-se de que não a dobra. A altura do tubo de drenagem deve ser inferior a 1000 mm. A extremidade livre da mangueira não deve ser imersa em água para evitar o recuo da mangueira.

- ▲ Fixe com segurança a mangueira de drenagem na posição A ou na posição B



Como drenar o excesso de água das mangueiras

Se o lava-loiça estiver 1000 mm mais alta do que o chão, o excesso de água nas mangueiras não pode escorrer diretamente para o lava-loiça. Será necessário drenar o excesso de água das mangueiras para um recipiente adequado que é mantido fora e mais baixo do que o lava-loiça.

Saída de água

Ligue a mangueira de drenagem de água A mangueira de drenagem deve ser instalada corretamente para evitar vazamentos de água. Certifique-se de que a mangueira de drenagem de água não está dobrada ou esmagada.

Mangueira de extensão

Se precisar de uma extensão de mangueira de drenagem, certifique-se de usar uma mangueira de drenagem similar.

Não deve exceder os 4 metros, caso contrário, o efeito de limpeza da máquina de lavar louça pode ser reduzido

Ligação do sifão

A ligação de resíduos deve estar a uma altura inferior a 100 cm (máximo) do fundo da placa. A mangueira de drenagem de água deve ser fixada.

Coloque o dispositivo

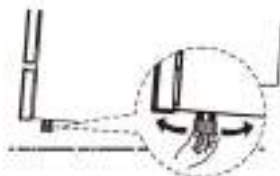
Coloque o dispositivo no local desejado. As costas devem apoiar-se contra a parede atrás dela e os lados, ao longo dos móveis ou paredes adjacentes. A máquina de lavar louça está equipada com uma mangueira de abastecimento e drenagem de água que pode ser posicionada à direita ou à esquerda para facilitar a instalação.

Nivelamento do dispositivo

Uma vez posicionado o eletrodoméstico para o nivelamento, a altura da máquina de lavar louça pode ser alterada através de ajuste do nível de aparafusamento dos pés.

NOTA:

Aplicar apenas na máquina de lavar louça independente.



Instalação independente

Montagem entre móveis existentes

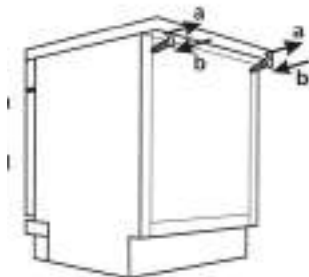
A altura da máquina de lavar louça, 845 mm, foi concebida para permitir a instalação da máquina entre unidades existentes da mesma altura em cozinhas. Os pés podem ser ajustados para atingir a altura correta. A parte superior laminada da máquina não requer nenhum cuidado especial, pois é resistente ao calor, à prova de arranhões e de manchas.



Sob uma bancada de trabalho

(quando instalada sob uma bancada de trabalho)

Na maioria das cozinhas modernas, existe apenas uma bancada de trabalho sob a qual são instalados armários e eletrodomésticos. Neste caso, retire a parte superior da máquina de lavar louça, desaparafusando os parafusos por baixo da extremidade traseira da parte superior (a).



Atenção

Após remover a parte superior da peça, os parafusos DEVEM ser aparafusados novamente sob a aresta traseira da parte superior (b).

A altura deve ser reduzida para 815 mm, conforme exigido pela Norma Internacional (ISO), e a máquina de lavar louça deve caber confortavelmente sob o fogão.

Instalação embutida (para o modelo embutido)

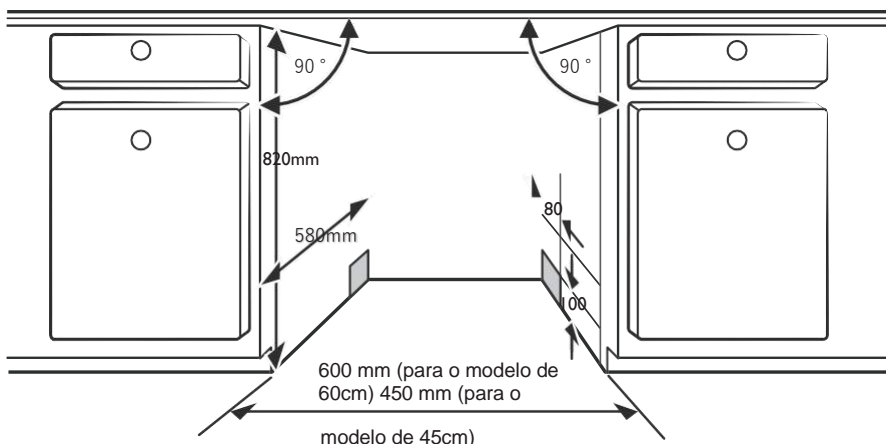
Passo 1. Seleção da melhor localização para a máquina de lavar louça

A posição de instalação da máquina de lavar louça deve estar próxima das mangueiras de entrada e de drenagem existentes e do cabo de alimentação.

Ilustrações das dimensões do móvel e da posição de instalação da máquina de lavar louça. A posição de instalação da máquina de lavar louça deve estar próxima das mangueiras de entrada e drenagem existentes e do cabo de alimentação.

Ilustrações das dimensões do móvel e da posição de instalação da máquina de lavar louça.

1. Menos de 5 mm entre a parte superior da máquina de lavar louça e o armário e a porta exterior alinhada com o móvel.



2.2. Se a máquina de lavar louça estiver presa no canto do móvel, deve haver algum espaço quando a porta for aberta.



🔦NOTA:

Dependendo da localização da sua tomada elétrica, pode ser que tenha de fazer um furo no lado oposto do armário.

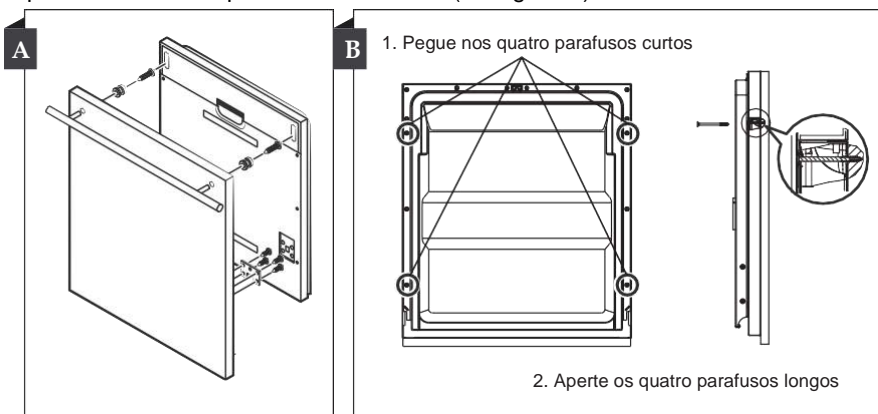
Passo 2: Dimensões e instalação do painel estético



O painel de madeira estético poderia ser processado de acordo com os desenhos de instalação.

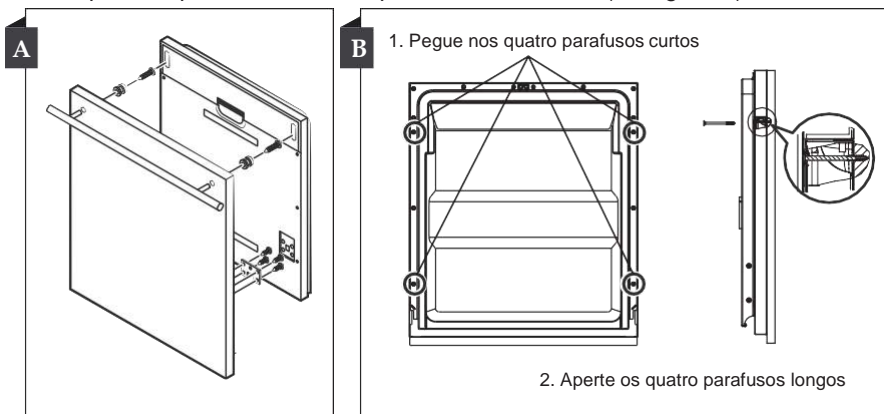
Modelo semi-integrado

O grampo mágico A e o grampo mágico B deslocam-se, o grampo mágico A no painel estético de madeira e o grampo mágico B feltrado na porta exterior da máquina de lavar louça (ver figura A). Depois de montar o painel, fixe o painel à porta exterior com parafusos e cavilhas (ver figura B).



Modelo totalmente integrado

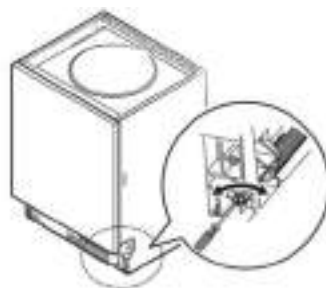
Instale o gancho no painel de madeira estético e coloque o gancho na ranhura da porta exterior da máquina de lavar louça (ver figura A). Depois de montar o painel, fixe o painel à porta exterior com parafusos e cavilhas (ver figura B).



Passo 3. Ajuste da tensão da mola da porta

1. As molas da porta são colocadas na fábrica com a tensão apropriada para a porta exterior. Se tiver um painel de madeira estético instalado, precisará de ajustar a tensão da mola da porta. Gire o parafuso de ajuste para mover o ajustador e aperte ou solte o cabo de aço.

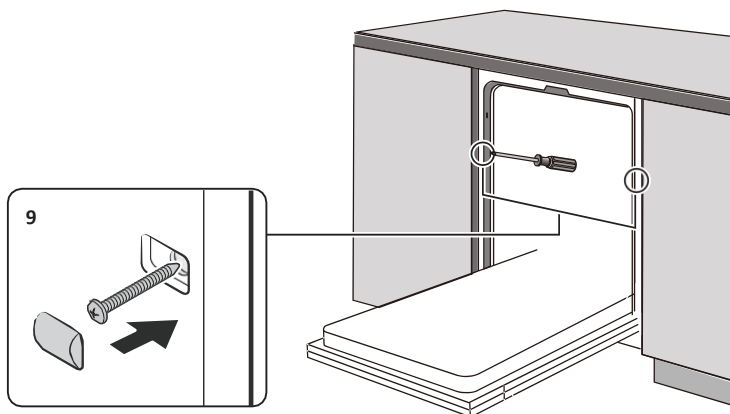
2. A tensão da mola da porta está correta quando a porta permanecer horizontal na posição totalmente aberta, mas se elevar até ao topo com um leve movimento de um dedo.



Passo 4: Etapas de instalação da máquina de lavar louça

Consulte os passos de instalação especificados na instalação

1. Fixe a faixa de condensação sob a superfície de trabalho do armário. Certifique-se de que a faixa de condensação está alinhada com a borda da superfície de trabalho. (Passo 2)
2. Ligue a mangueira de entrada ao abastecimento de água fria.
3. Ligue a mangueira de drenagem.
4. Ligue o cabo de alimentação.
5. Ponha a máquina de lavar louça no lugar. (Passo 4)
6. Nivele a máquina de lavar louça. Os alimentos traseiros podem ser ajustados a partir da frente da máquina de lavar louça rodando o parafuso Philips no meio da base da máquina de lavar louça com um parafuso Philips. Para ajustar os pés dianteiros, utilize uma chave de fendas plana e rode os pés dianteiros até que a máquina de lavar louça esteja nivelada. (Passo 5 ao Passo 6)
7. Instale a porta do armário na porta exterior da máquina de lavar louça. (Passo 7 ao Passo 10)
8. Ajuste a tensão das molas da porta com uma chave Allen girando no sentido horário para apertar as molas esquerda e direita da porta. Se não o fizer, pode danificar a sua máquina de lavar louça. (Passo 11)
9. A máquina de lavar louça deve estar segura no lugar. Há duas maneiras de fazer isto:

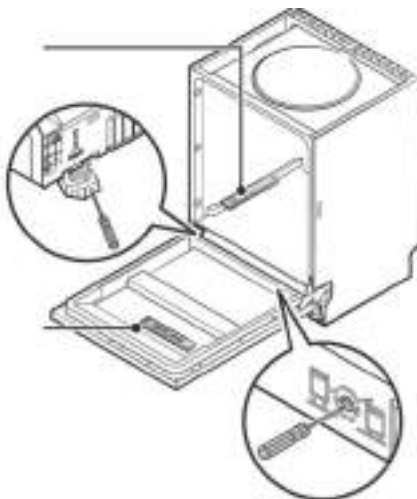


Passo 5. Nivelamento da máquina de lavar louça

A máquina de lavar louça deve estar nivelada para o bom funcionamento do tabuleiro para pratos e para o desempenho da lavagem.

1. Coloque um nível na porta e na calha dentro da cuba, como mostrado para verificar se a máquina de lavar louça está nivelada.
2. Nivele a máquina de lavar louça, ajustando os três pés niveladores individualmente.
3. Ao nivelar a máquina de lavar louça, tenha cuidado para não deixar a máquina de lavar louça tombar.

Nível de verificação da
frente para trás



Nível de verificação
de um lado ao
outro



NOTA:

A altura máxima de ajuste dos pés é de 50 mm.

CONSELHOS PARA A RESOLUÇÃO DE PROBLEMAS

Antes de ligar para o apoio técnico

A revisão dos gráficos nas páginas seguintes pode evitar ter de telefonar para o apoio técnico.

Problema	Causa Possível	O que fazer?
A máquina de lavar louça não arranca	Fusível queimado ou curto-circuito	Substitua o fusível ou reinicie o disjuntor. Remova qualquer outro eletrodoméstico que partilhe o mesmo circuito com a máquina de lavar louça.
	A fonte de alimentação não está ligada.	Certifique-se que a máquina de lavar louça está ligada e que a porta está devidamente fechada. Certifique-se de que o cabo de alimentação está corretamente ligado à tomada elétrica.
	A pressão da água está baixa	Verifique se o abastecimento de água está ligado corretamente e se a água está ligada.
	A porta da máquina de lavar louça não está bem fechada.	Certifique-se de fechar a porta corretamente e de a trancar.
Água não bombeada da máquina de lavar louça	A mangueira de drenagem está dobrada ou presa.	Verifique a mangueira de drenagem.
	Filtro entupido	Verifique o filtro grosso.
	A pia da cozinha está entupida.	Verifique a pia da cozinha para ter a certeza que está a escorrer corretamente. Se o problema for que a pia da cozinha não esteja a drenar, pode precisar de um canalizador em vez de um técnico para a máquina de lavar louça.
Espuma	Detergente incorreto	Use apenas detergente especial para máquina de lavar louça para evitar espuma. Se isso acontecer, abra a máquina de lavar louça e deixe que a espuma evapore. Acrescente água fria ao fundo da máquina de lavar louça. Feche a porta da máquina de lavar louça, depois seleccione qualquer ciclo. Inicialmente, a máquina de lavar louça vai drenar a água. Abra a porta após a fase de drenagem estar completa e verifique se a espuma desapareceu. Repita, se necessário.

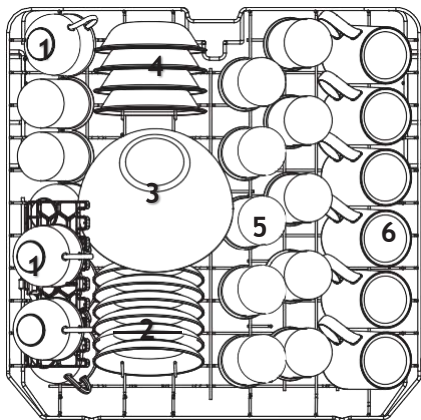
Problema	Causa Possível	O que fazer?
	Auxiliar de enxaguamento derramada.	Limpe sempre imediatamente os derrames do abrilhantador.
Interior manchado	Pode ter sido usado um detergente com corante.	Certifique-se de que o detergente não contém corante.
Película branca na superfície interna	Minerais de água dura	Para limpar o interior, use uma esponja húmida com detergente para máquina de lavar louça e use luvas de borracha. Nunca utilize outro produto de limpeza que não detergente para máquinas de lavar louça, caso contrário pode causar espuma.
Os talheres têm manchas de ferrugem	Os artigos afetados não são resistentes à corrosão.	Evite lavar artigos não resistentes à corrosão na máquina de lavar louça.
	Não foi executado um programa depois de adicionar o sal à máquina de lavar louça. Entraram vestígios de sal no ciclo de lavagem.	Execute sempre um programa de lavagem sem louça depois de adicionar sal. Não selecione a função Turbo (se existir).
	A tampa está solta.	Verifique se a tampa do descalcificador está segura.
Barulho de algo a bater na máquina de lavar louça	Um braço de pulverização está a bater contra um artigo num cesto	Interromper o programa e rearranjar os elementos que obstruem o braço de pulverização.
Ruído na máquina de lavar louça	A louça está solta na máquina de lavar louça.	Interromper o programa e reorganizar os pratos.
Ruído de algo a bater nos canos de água	Isto pode ser causado pela instalação no local ou pela secção transversal da tubagem.	Isto não tem influência sobre a função da máquina de lavar louça. Em caso de dúvida, contacte um canalizador qualificado.
Os pratos não estão limpos	Os pratos não foram carregados corretamente.	Veja as notas sobre "Carregar e descarregar a sua máquina de lavar louça".
	O programa não foi suficientemente eficaz.	Selecione um programa mais intensivo

Problema	Causa Possível	O que fazer?
Os pratos não estão limpos	Não foi dispensado detergente suficiente.	Use mais detergente ou mude o seu detergente.
	Os artigos estão a bloquear o movimento dos braços de pulverização.	Reorganize os elementos para que o pulverizador possa rodar livremente.
	A combinação do filtro não está limpa ou não está posicionada corretamente na base da zona de lavagem. Isto pode causar o bloqueio dos jatos do braço de pulverização.	Limpe e/ou ajuste o filtro corretamente. Limpe os jatos do braço de pulverização.
Nebulosidade do vidro.	Combinação de água morna e demasiado detergente.	Utilize menos detergente se tiver água morna e selecione um ciclo mais curto para lavar os vidros e limpá-los.
As manchas brancas aparecem em pratos e copos.	A área de água dura pode causar depósitos de calcário.	Adicione mais detergente.
Marcas pretas ou cinzentas nos pratos	Os utensílios de alumínio foram esfregados contra os pratos	Use um produto de limpeza abrasivo suave para remover estas marcas.
O detergente ficou no dispensador	Os pratos bloqueiam o doseador de detergente	Recarregue os pratos adequadamente
Os pratos não estão limpos	Carregamento incorreto	Carregue a máquina de lavar louça como sugerido nas instruções.
	Os pratos são descartados muito cedo	Não esvazie a sua máquina de lavar louça imediatamente após a lavagem. Abra ligeiramente a porta para permitir a fuga de vapor. Retire os pratos quando a temperatura interior for segura para tocar. Descarregue primeiro o cesto inferior para evitar que a água caia do cesto superior.

Problema	Causa Possível	O que fazer?
Os pratos não estão limpos	Foi selecionado o programa errado	Com um programa curto, a temperatura de lavagem é mais baixa, diminuindo o rendimento da limpeza. Escolha um programa com um longo tempo de lavagem.
	Uso de talheres com um revestimento de baixa qualidade.	A drenagem da água é mais difícil com estes artigos. Talheres ou pratos deste tipo não são adequados para lavagem na máquina de lavar louça.

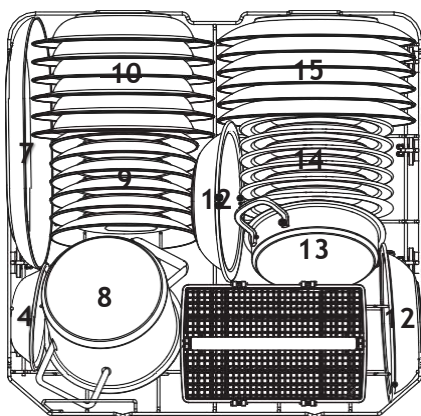
CARREGAR OS TABULEIROS DE ACORDO COM EN60436:

1. Tabuleiro superior:



Número	Item
1	Chávenas
2	Pires
3	Taça de vidro
4	Taça de sobremesa
5	Copos
6	Taça média

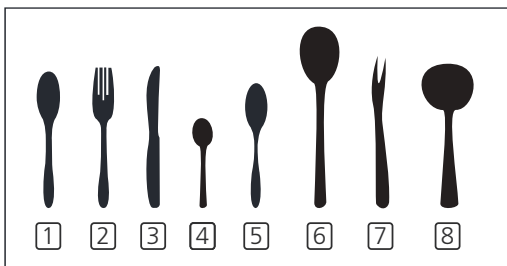
2. Tabuleiro inferior:



Número	Item
7	Assadeira ovalada
8	Panela pequena
9	Pratos de sobremesa
10	Pratos de sopa
11	Cesto de talheres
12	Tigela de melamina
13	Panela de forno
14	Pratos de sobremesa de melamina
15	Pratos rasos

3. Cesto de talheres

1	2	1		4	4	4	4	4	4		1	2	1
2	2	2			8			7		3	3		2
1	2	1		4	4	4	4	4	4		1	3	1
1	2	1		5	5	5	5	5	5		3	3	3
2	2	2			3			3		3	3	3	3
1	2	1		5	5	5	5	5	5		6		6



Número	Item
1	Colher de sopa
2	Garfo
3	Faca de carne
4	Colher de café
5	Colher de sobremesa
6	Colher de servir
7	Garfo de servir
8	Colher de molhos

Informações para testes de comparabilidade de

acordo com a EN 60436

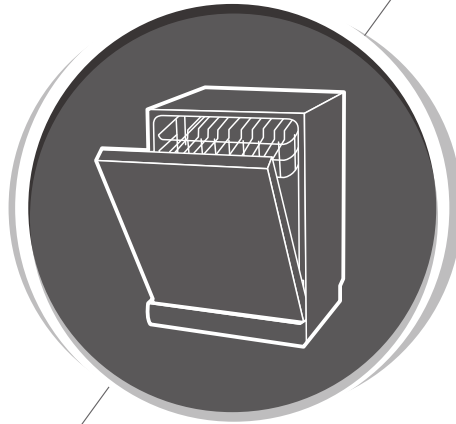
Capacidade: 12 serviços

Posição do tabuleiro superior: posição inferior

Programa: ECO

Ajuste do brilhantador: Max

Amaciador: H3



Manual de Instruções

PARTE II: Versão Especial

E-CLVM6419W

E-CLVM6419X

Corberô

Leia atentamente este manual
antes de usar a máquina de
lavar louça.

Guarde este manual para referência futura.

CONTEÚDO

4 USAR A SUA MÁQUINA DE LAVAR LOUÇA

4 Painel de controlo

6 Amaciador de água

8 Preparação e carregamento de pratos

11 Papel do abrillantador e detergente

11 Enchimento do depósito do abrillantador

12 Encher o dispensador de detergente

14 PROGRAMAÇÃO DA MÁQUINA DE LAVAR LOUÇA

14 Tabela do ciclo de lavagem

16 Iniciar um ciclo de lavagem

16 Mudar o programa de meio do ciclo

17 Esqueceu-se de adicionar um prato?

18 CÓDIGOS DE ERRO

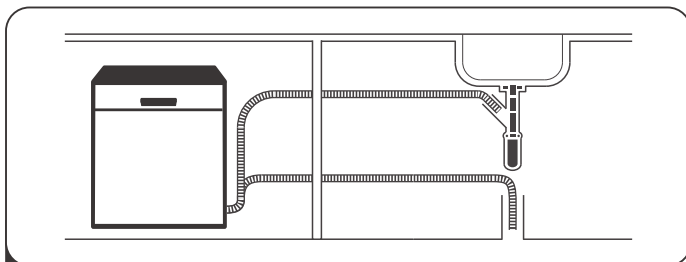
19 INFORMAÇÃO TÉCNICA

NOTA:

- Se não conseguir resolver os problemas sozinho, peça a ajuda a um técnico profissional.
O fabricante, seguindo uma política de constante desenvolvimento e atualização de produtos, pode fazer modificações sem aviso prévio. Caso se perca ou esteja esta desatualizado, pode receber um novo manual do fabricante ou fornecedor responsável.

GUIA RÁPIDO DO UTILIZADOR

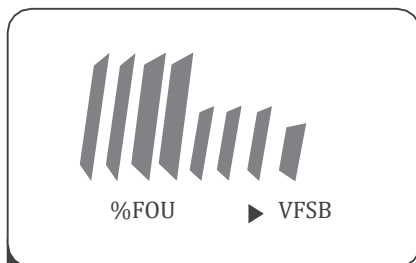
Por favor, leia o conteúdo correspondente no manual de instruções para o método detalhado de operação.



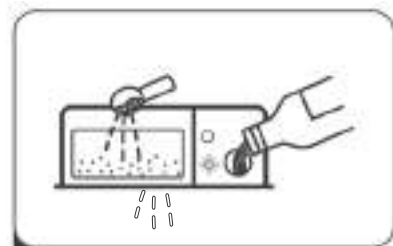
1 Instalar a máquina de lavar louça
(Consulte a seção 5 "INSTRUÇÕES DE INSTALAÇÃO" da PARTE I:
Versão Genérica)



2 Removendo o maior resíduo nos talheres.



3 Carregar os tabuleiros



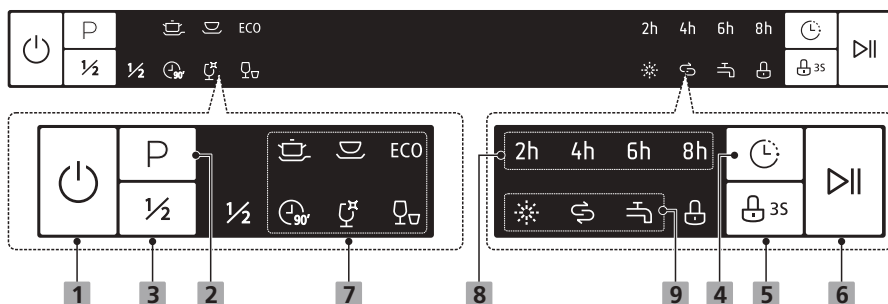
4 Enchendo o dispensador



5 Selecionando um programa e executando a máquina de lavar louça.

USAR A SUA MÁQUINA DE LAVAR LOUÇA









• Painel de controlo



Operação (Botão)

1 Ignição	Pressione este botão para ligar a máquina de lavar louça, o visor acender-se-á.
2 Programa	Selecione o programa de lavagem adequado e o indicador do programa selecionado acender-se-á.
3 Meia carga	Se não tiver enchido a máquina de lavar louça, pode escolher esta função para poupar energia e água. (Só pode ser usado com programas Intensivo, Universal , ECO, 90 min.)
4 Início Diferido	Pressione este botão para definir os tempos de espera e o botão correspondente acender-se-á.
5 Bloqueio para crianças	Esta opção permite-lhe bloquear os botões do painel de controlo, exceto o botão Ignição, para que as crianças não possam ligar a máquina de lavar louça acidentalmente pressionando os botões do painel. Para bloquear ou desbloquear os botões no painel de controlo, mantenha premida a tecla Botão durante 3 segundos.
6 Início/ Pausa	Para iniciar o programa de lavagem selecionado ou fazer uma pausa quando a máquina de lavar louça estiver a funcionar.

Ecrã

7 Indicador do programa	<p> Intensivo Artigos muito sujos, incluindo tachos e panelas. Com comida seca presa.</p> <p> Universal Para artigos normalmente sujos, como panelas, pratos, copos e frigideiras ligeiramente sujos.</p> <p>ECO ECO É o programa padrão adequado para cargas com um sujidade normal e o programa mais eficiente em termos de consumo combinado de energia e água para esse tipo de louça.</p> <p> 90 min Para cargas normalmente sujas que precisam de ser lavadas rapidamente.</p> <p> Vidro Para chávenas e copos ligeiramente sujos.</p> <p> Rápido Um programa de lavagem mais curto para cargas ligeiramente sujas que não necessitam de secar.</p>
8 Botão início diferido	Para mostrar o tempo de início diferido (2h/ 4h/ 6h/ 8h)
9 Indicador de advertência	<p> Abrilhantador Se o indicador "☀" estiver aceso, significa que a máquina de lavar louça não tem abrilhantador suficiente e deve ser recarregado.</p> <p> Sal Se o indicador "☺" estiver aceso, resta muito pouco sal e deve ser cheio de novo.</p> <p> Torneira Se o indicador estiver aceso, significa que a torneira de água está fechada.</p>

Amaciador de água

O amaciador de água deve ser ajustado manualmente, usando o disco de dureza da água.

O amaciador de água é projetado para remover minerais e sais da água, o que poderia ter um efeito prejudicial ou adverso sobre o funcionamento do aparelho.

Quanto mais minerais houver, mais dura é a água.

O amaciador deve ser ajustado de acordo com a dureza da água na sua área. A sua Autoridade de Água local pode aconselhá-lo sobre a dureza da água na sua área.

Ajustar o consumo de sal.

A máquina de lavar louça foi concebida para permitir o ajuste da quantidade de sal consumida de acordo com a dureza da água utilizada. O objetivo é otimizar e personalizar o nível de consumo de sal.

Siga os passos abaixo para ajustar o consumo de sal.

1. Ligue o aparelho;
2. Dentro de 60 segundos após ligar o aparelho, pressione a tecla Início/ Pausa mais de 5 segundos para entrar no modo de ajuste do amaciador de água.
3. Pressione a tecla Início/ Pausa para selecionar a configuração apropriada de acordo com o seu ambiente local, irá mudar na seguinte sequência: H1-> H2-> H3-> H4-> H5-> H6;
4. Prima o botão Ignição para finalizar o modo de configuração

DUREZA DA ÁGUA				Nível de amaciador de água	Consumo de sal (grama/ciclo)
Alemão dH	Francês fH	Britânico Clarke	Mmol/l		
0 - 5	0 - 9	0 - 6	0 - 0,94	H1-> Rápido Indicador cintilante	0
6 - 11	10 - 20	7 - 14	1,0 - 2,0	H2-> Vidro Indicadores cintilantes	9
12 - 17	21 - 30	15 - 21	2,1 - 3,0	H3-> Vidro, rápido indicadores cintilantes	12
18 - 22	31 - 40	22 - 28	3,1 - 4,0	H4->90 mins indicador cintilante	20

23 - 34	41 - 60	29 - 42	4,1 - 6,0	H5->90 mins, rápido indicadores cintilantes	30
35 - 55	61 - 98	43 - 69	6,1 - 9,8	H6->90 mins, Vidro indicadores cintilantes	60

1 ° dH = 1,25 ° Clarke = 1,78 ° fH = 0,178 mmol

/ l Configuração de fábrica: H3

Contacte a sua administração de água local para obter informações sobre a dureza do seu abastecimento de água.



Consulte a secção 3 "Colocar o sal no amaciador" da PARTE

I : Versão genérica, se a sua máquina de lavar louça não tiver sal.



NOTA:

Se o seu modelo não tiver qualquer amaciante de água, pode omitir esta secção.

Amaciador de água

A dureza da água varia de lugar para lugar. Se for utilizada água dura na máquina de lavar louça, formam-se depósitos nos pratos e utensílios.

O aparelho está equipado com um amaciador especial que utiliza um recipiente de sal especificamente concebido para remover o calcário e os minerais da água.

Preparação e carregamento de pratos

Considere comprar utensílios que sejam identificados como seguros para a máquina de lavar louça.

Para determinados itens, selecione um programa com a temperatura mais baixa possível. Para evitar danos, não retire os copos e talheres da máquina de lavar louça imediatamente após o programa ter terminado.

Para lavar os seguintes talheres/pratos

Não são adequados

- Talheres com cabos de madeira, porcelana em chifre ou madreperla
- Artigos de plástico que não são resistentes ao calor
- Talheres mais antigos com peças coladas que não são resistentes à temperatura. Talheres ou pratos revestidos.
- Artigos de estanho ou cobre
- Copos de cristal
- Artigos de aço sujeitos a oxidação.
- Pratos de madeira
- Artigos feitos de fibras sintéticas.

Têm certas limitações

- Alguns tipos de vidro que podem tornar-se opacos após uma série de lavagens
- Os componentes de prata e alumínio tendem a perder a cor durante a lavagem
- Os padrões de vidro podem desvanecer-se se forem lavados frequentemente

Recomendações para o carregamento da máquina de lavar louça.

Elimine grandes quantidades de restos de comida. Amoleça os restos de comida queimada em frigideiras. Não é necessário enxaguar a louça com água corrente. Para obter o melhor desempenho da sua máquina de lavar louça, siga estas orientações de carregamento.

(As características e aparência dos cestos e cestos de talheres podem variar do seu modelo).

Coloque os artigos na máquina de lavar louça da seguinte forma:

- Itens como chávenas, copos, potes/ panelas, etc. são orientados para baixo.
- Os elementos curvos, ou aqueles com reentrâncias, devem ser carregados com uma inclinação que permita o escoamento da água.
- Todos os utensílios estão empilhados em segurança e não podem tombar.
- Todos os utensílios são posicionados de modo a que os braços de pulverização possam rodar livremente durante a lavagem.
- Carregar itens ociosos como chávenas, copos, frigideiras, etc. Com a abertura virada para baixo para que a água não se possa acumular no recipiente ou numa base profunda.
- Os pratos e talheres não devem ser colocados um dentro do outro, nem devem ser cobertos um pelo outro. Para evitar danos, os vidros não devem tocar-se.
- O cesto superior foi concebido para segurar loiça mais leve e delicada, como copos, chávenas de café e de chá.
- Facas de lâmina comprida armazenadas na vertical são um perigo potencial!
- Talheres compridos e/ou afiados, tais como facas de trinchar, devem ser colocados horizontalmente no cesto superior.
- Por favor, não sobrecarregue a sua máquina de lavar louça. Isto é importante para bons resultados e um consumo de energia razoável.

NOTA:

Itens muito pequenos não devem ser lavados na máquina de lavar louça, pois podem facilmente cair do cesto.

Remoção dos pratos

Para evitar que a água pingue do cesto superior para o cesto inferior, recomendamos que esvazie primeiro o cesto inferior e depois o cesto superior.

ADVERTÊNCIA



Os artigos vão estar quentes! Para evitar danos, não retire copos e talheres da máquina de lavar louça durante cerca de 15 minutos após o programa ter terminado.

Carregar o cesto superior

O cesto superior foi concebido para segurar louça de mesa mais delicada e leve, como copos, chávenas de café e de chá e pires, bem como pratos, pequenas tigelas rasas e frigideiras (desde que não estejam muito sujas). Posicione pratos e utensílios de cozinha para que não sejam movidos pelo spray de água.



Carregar o cesto inferior

Sugerimos que coloque os artigos maiores e os mais difíceis de limpar no tabuleiro inferior: tais como panelas, frigideiras, tampas, pratos e taças de servir, como mostrado na figura abaixo. É preferível colocar os pratos de servir e as tampas na lateral das grelhas para evitar bloquear a rotação do braço de pulverização superior. O diâmetro máximo recomendado para pratos contra o doseador de detergente é de 19 cm, o que não impede a sua abertura.



Carregar o cesto dos talheres

Os talheres devem ser colocados no cesto para talheres separados uns dos outros nas posições apropriadas, e certifique-se de que os utensílios não se amontoam, pois isso pode causar uma limpeza deficiente.

⚠ ADVERTÊNCIA



Não permita que nenhum item se estenda através do fundo. Carregue sempre utensílios afiados com a ponta afiada para baixo!



Para um melhor efeito de lavagem, carregue os tabuleiros de acordo com as instruções de carga standard da última secção das opções de carga PEÇAS, na última secção da PARTE 1: Versão genérica


Função do agente de enxaguamento e detergente

O agente de enxaguamento é libertado durante o enxaguamento final para evitar a formação de gotículas de água na sua louça, o que pode deixar manchas e riscos. Também melhora a secagem, permitindo que a água escorra da louça. A sua máquina de lavar louça foi concebida para utilizar um agente de enxaguamento líquido.

ADVERTÊNCIA

Utilize apenas um agente de enxaguamento de marca para a sua máquina de lavar louça. Nunca encha o dispensador de agente de enxaguamento com qualquer outra substância (por exemplo, agente de limpeza para máquinas de lavar louça, detergente líquido). Isto iria danificar o aparelho.

Quando reabastecer o dispensador de abrillantador.

A menos que a luz de aviso do abrillantador () no painel esteja acesa, pode sempre estimar a quantidade pela cor do indicador do nível ótico junto à tampa.

Quando o reservatório do abrillantador estiver cheio, o indicador estará completamente escuro. O tamanho da mancha escura diminui à medida que o abrillantador se esgota. Nunca deixe o nível do abrillantador ficar abaixo de 1/4 cheio.

Indicador do nível de enxaguamento

À medida que o abrillantador diminui, o tamanho do ponto negro no indicador do nível do abrillantador muda, como ilustrado abaixo.

Completo 3/4 1/2 1/4 Vazio

Função do detergente.

Os ingredientes químicos que compõem o detergente são necessários para remover e dissolver toda a sujidade na máquina de lavar louça. A maioria dos detergentes de qualidade comercial são adequados para este fim.

ADVERTÊNCIA

• Uso correto do detergente

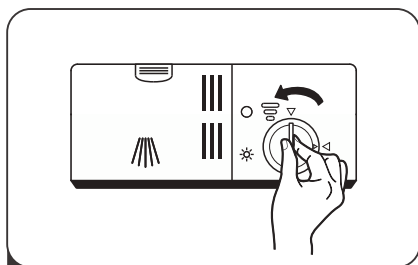
Utilize apenas detergentes feitos especificamente para máquinas de lavar louça. Mantenha o seu detergente fresco e seco.

Não coloque detergente em pó no doseador até estar pronto para lavar a louça

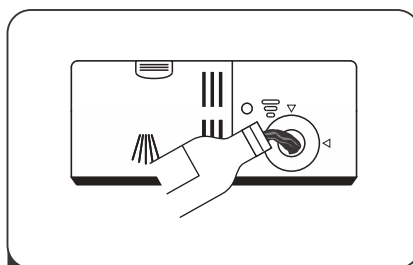


O detergente para máquina de lavar louça é corrosivo! Mantenha o detergente para máquina de lavar louça fora do alcance das crianças.

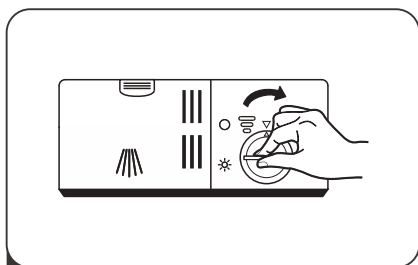
Enchimento do reservatório do



- 1** Retire a tampa do reservatório do abrillantador girando-a para a esquerda.



- 2** Deite cuidadosamente o agente de brilho no distribuidor de abrillantador, evitando que este transborde.



- 3** reservatório do abrillantador rodando-a no sentido dos ponteiros do relógio.



NOTA:

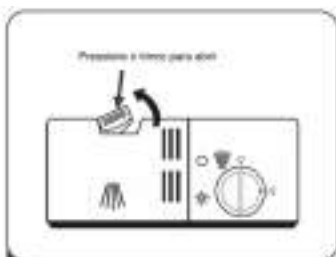
Limpe o abrillantador derramado com um pano absorvente para evitar a formação excessiva de espuma durante a próxima lavagem.

Ajuste do reservatório do abrillantador



Rode o botão indicador de abrillantador para um número entre 1 e 6. Quanto maior o número, mais líquido a máquina de lavar louça usa. Se os pratos não secarem corretamente ou ficarem manchados, ajuste o mostrador para o próximo número mais alto até que os seus pratos fiquem impecáveis. Reduza-o se houver manchas pegajosas esbranquiçadas nos seus pratos ou uma película azulada nos vidros ou talheres.

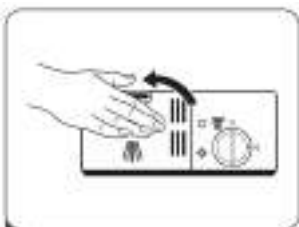
Encher o dispensador de detergente



1 Pressione o trinco de liberação do distribuidor de detergente para abrir a tampa.



2 Adicione detergente na maior cavidade (A) para o ciclo de lavagem principal. Para cargas de lavagem mais sujas, adicione também um pouco de detergente na cavidade mais pequena (B) para o ciclo de pré-lavagem.



3 Feche a tampa e pressione até que ela se encaixe no lugar.

NOTA:

Por favor note que dependendo de quão suja a água está, a configuração pode ser diferente.





Observe as recomendações do fabricante na embalagem do detergente.

PROGRAMAÇÃO DA MÁQUINA DE LAVAR LOUÇA

Tabela do ciclo de lavagem

A tabela seguinte mostra que programas são melhores para os níveis de resíduos de alimento e qual a quantidade de detergente necessária. Também exibe uma variedade de informações sobre os programas.

Meios: é necessário recarregar o abrillantador no distribuidor do abrillantador.

Programa	Descrição do ciclo	Pré-lavagem / detergente principal	Tempo de funcionamento (min)	Energia (kWh)	Água (l)	Abrilantador
 Intensivo	Pré-lavagem (50 °C) Lavagem (65 °C) Enxaguar Enxaguar (65 °C) Secar	4/16 g (1 ou 2 unidades)	205	1,621	17,8	●
 Universal	Pré-lavagem (45 °C) Lavagem (55 °C) Enxaguar Enxaguar (65 °C) Secar	4/16 g (1 ou 2 unidades)	175	1,302	14,2	●
ECO (*EN 60436)	Pré-lavagem Lavagem (45 °C) Enxaguar (60 °C) Secagem	4/16 g (1 ou 2 unidades)	230	0,923	11,0	●
 Vidro	Lavar Enxaguar (50 °C) Enxaguar Enxaguar (65 °C) Secagem	4/16 g (1 ou 2 unidades)	120	1,100	14,2	●
 90 min	Lavagem (60 °C) Enxaguar Enxaguar (65 °C) Secagem	20 g (1 unidade)	90	1,35	11,5	●



Lavar (50 °C)

Enxaguar

Enxaguar (45 °C)

20 g
(1 unidade)

30

0,75l

11.2



NOTA:

EN 60436:

Este programa é o ciclo de teste. A informação para o teste de compatibilidade cumpre com a norma EN60436.

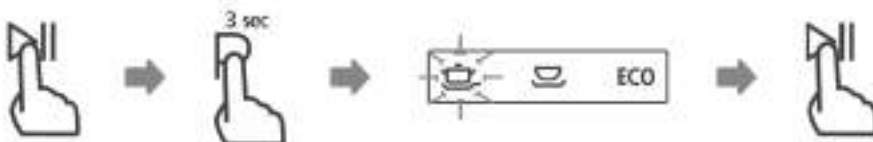
Iniciar um ciclo de lavagem

1. Retire o cesto inferior e superior, carregue a loiça e empurre-a para trás. É recomendado carregar primeiro o cesto inferior e depois o cesto superior.
2. Coloque o detergente.
3. Insira a ficha no rodapé. A fonte de alimentação refere-se à última página "Ficha do produto". Certifique-se de que o abastecimento de água está ligado na pressão máxima.
4. Feche a porta, pressione o botão Ignição para ligar a máquina.
5. Escolha um programa, a luz de resposta irá acender. Depois pressione o botão Início / Pausa, a máquina de lavar loiça iniciará o seu ciclo.

MUDAR O PROGRAMA A MEIO DO CICLO

Um ciclo de lavagem só pode ser alterado se estiver em funcionamento há pouco tempo, caso contrário o detergente pode já ter sido libertado e a máquina de lavar loiça já tiver drenado a água de lavagem. Se for este o caso, a máquina de lavar loiça deve ser reiniciada e o doseador de detergente deve ser enchido de novo. Para retomar o funcionamento da máquina de lavar loiça, siga as instruções abaixo:

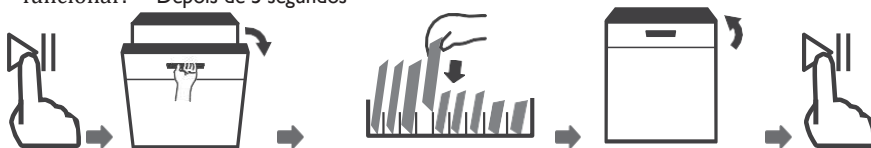
1. Pressione o botão Início/ Pausa para fazer uma pausa na lavagem.
2. Pressione o botão Programa durante mais de 3 segundos - o programa será cancelado.
3. Prima o Botão Programa para selecionar o programa desejado.
4. Pressione o botão Início/Pausa e após 10 segundos, a máquina de lavar loiça começará novamente a trabalhar.



ESQUECEU-SE DE COLOCAR UM PRATO

Um prato esquecido pode ser adicionado a qualquer momento antes da abertura do doseador de detergente. Se este for o caso, siga as instruções abaixo:

1. Pressione o botão Início/ Pausa para fazer uma pausa na lavagem.
2. Espere 5 segundos e depois abra a porta.
3. Acrescente os pratos esquecidos.
4. Feche a porta.
5. Pressione o botão Início / Pausa após 10 segundos, a máquina de lavar louça começará a funcionar. Depois de 5 segundos



⚠ ADVERTÊNCIA



É perigoso abrir a porta no meio do ciclo, pois o vapor quente pode queimá-lo.

CÓDIGOS DE ERRO

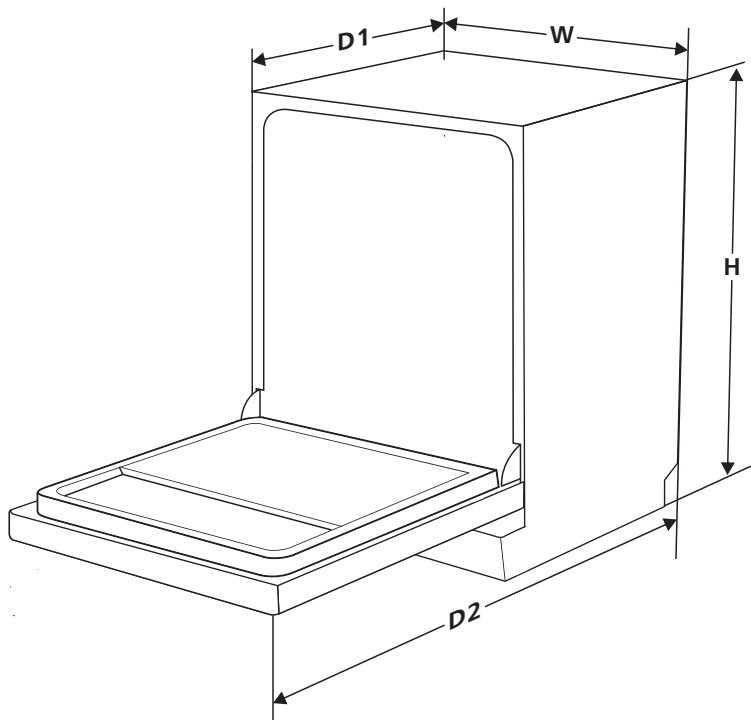
Se houver uma avaria, a máquina de lavar loiça mostrará códigos de erro para os identificar:

Códigos	Significado	Causas Possíveis
As luzes de Rápido Piscam rapidamente	Tempo de entrada mais longo.	As torneiras não abrem, a entrada de água é restrita ou a pressão da água é muito baixa.
As luzes de Rápido , 90 min piscam rapidamente.	Não atingiu a temperatura necessária.	Avaria no elemento de aquecimento.
As luzes de Glass piscam rapidamente	Transbordo	Alguns elementos da máquina de lavar louça vazam.
As luzes ECO, 90 min e Rápido piscam rapidamente	Falha de comunicação entre o PCB principal com visor PCB.	Círculo aberto ou com a fiação interrompida para comunicação.

Se ocorrer um transbordo, desligue o abastecimento principal de água antes de contactar o apoio.

Se houver água na bandeja base devido ao enchimento excessivo ou a um pequeno vazamento, a água deve ser removida antes de reiniciar a máquina de lavar louça.

INFORMAÇÃO TÉCNICA



Altura (H)	845mm
Largura (W)	598mm
Profundidade (D1)	600mm (porta fechada)
Profundidade (D2)	1175mm (porta aberta 90°)

FICHA DE PRODUTO (EN60436)

Fornecedor: CORBERO

Endereço do fornecedor: KURBIN LANE, S.L. Pº del Ferrocarril, 335 4º 2ª 08860 Castel de Fels
Barcelona Espanha N.º IVA ES B65050288**Modelo:** E-CLVM6419W E-CLVM6419X

Ficha de produto:

Parâmetro	Valor	Parâmetro	Valor	
Capacidade nominal (a) (ps)	12	Dimensões em cm	Altura	85
			Largura	60
			Profundidade de	60
EEL (°)	55,9	Classe de eficiência energética	E (°)	
Índice de desempenho de limpeza (a)	1,125	Índice de desempenho de secagem (a)	1,065	
Consumo de energia em kWh por ciclo, com base no programa ECO usando água fria. O consumo real de energia dependerá da forma como o aparelho for utilizado.	0,923	Consumo de água em litros [por ciclo], com base no programa eco. O consumo real de água dependerá da forma como o aparelho é utilizado e da dureza da água.	11,0	
Duração do programa (a) (h:min)	3:50	tipo	Em pé	
Emissões de ruído acústico aéreo (a) (dB(A) re 1 pW)	49	Classe de emissão acústica de ruído (a)	C (°)	
Modo desligado (w)	0,49	Modo de espera (W)	N/A	
Início diferido (w) (se aplicável)	1,00	espera em rede (W) (se aplicável)	N/A	

Duração mínima da garantia oferecida pelo fornecedor (b): 24months

Informação adicional

Link para o site do fornecedor, onde podem ser encontradas as informações do ponto 6 do Anexo II do Regulamento da Comissão (UE) 2019/2022 (1)(b) www.corbero.es

(a) para o programa eco.

(b) As alterações a estes elementos não serão consideradas relevantes para efeitos do n.º 4 do artigo 4.º do Regulamento [UE] 2017/1369.

(c) Se a base de dados de produtos gerar automaticamente o conteúdo final desta célula, o fornecedor não introduzirá estes dados.

(1) Regulamento (UE) 2019/2022 da Comissão, de 1 de Outubro de 2019, que estabelece os requisitos de conceção ecológica das máquinas de lavar loiça para uso doméstico nos termos da Diretiva 2009/125/CE do Parlamento Europeu e do Conselho, que altera o Regulamento (CE) n.º 1275/2008 da Comissão e revoga o Regulamento da Comissão. Regulamento (UE) n.º 1016/2010 (ver a página 267 deste Jornal Oficial).

KURBIN LANE, S.L.
Pº del Ferrocarril, 335 4º 2ª 08860 Castelldefels
Barcelona Spain
VAT number ES B65050288

CERTIFICADO DE GARANTÍA

Imprescindible la presentación de la factura de compra acompañada del presente certificado de garantía.

Riesgos cubiertos.

Este aparato está garantizado contra cualquier defecto de funcionamiento, siempre que se destine a uso doméstico, procediéndose a su reparación dentro del plazo de garantía y sólo por la red de SAT autorizados.

Nuestros electrodomésticos Corberó cuentan con la garantía legal del fabricante que cubre cualquier avería o defecto durante 36 meses, desde su fecha factura de 1 de enero del 2022. En caso de que fuera necesario, nosotros nos ocupamos de cualquier posible incidencia siempre que se deba a un componente defectuoso o fallo de fabricación.

Excepciones de garantía.

- Que la fecha del certificado no coincida con la fecha de venta de la factura original.
- Averías producidas por golpe, por caída o cualquier otra causa de fuerza mayor.
- Si el aparato ha sido manipulado por personal no autorizado.
- Las averías producidas o derivadas como consecuencia de un uso inadecuado, por defectos de instalación, por introducir modificaciones en el aparato que alteren su funcionamiento.
- Puestas en marcha, mantenimiento, limpiezas, componentes sujetos a desgaste, lámparas, piezas estéticas, oxidaciones, plásticos, gomas, carcasas y cristales.
- Los hornos microondas (a excepción de los integrables) y los hornos sobremesa en el caso de cualquier incidencia de funcionamiento, deben de llevarse al servicio técnico más próximo por parte del cliente. No se recojen ni reparan en el domicilio.
- Garantía termos eléctricos. Garantía de 3 años incluyendo los costes de desplazamiento y mano de obra que correspondan de la reparación del producto, teniendo que tener un mantenimiento una vez cada 12 meses. Especialmente si Ud. ha instalado un aparato a gas, tenga presente como titular de la instalación, la obligatoriedad de realizar una revisión completa de los equipos, (según Real Decreto 238 / 2013, del 5 Abril. RITE. IT3, M. Lo termos eléctricos y calderas que incluyen depósitos acumuladores de agua caliente, para que se aplique la prestación de la Garantía, es obligatorio que el ánodo de magnesio esté operativo y que realice la función de protección adecuadamente. Para ello es recomendable que el ánodo se revise bianualmente por el Servicio Oficial y sea renovado cuando fuera necesario. Periodicidad que deberá ser anual en aquellas zonas con aguas críticas (contenido de CaCO₃ superiores a 200mg/L, es decir a partir de 20ºfH de dureza). Depósitos sin el correcto estado del ánodo de protección, no tienen la cobertura de la garantía. Independientemente del tipo de depósito o producto, todas las válvulas de sobrepresión de calefacción o a.c.s., deberán ser canalizadas para evitar daños en la vivienda por descargas de agua. La garantía del producto no asume los daños causados por la no canalización del agua derramada por esta válvula.

“ESTAS EXCEPCIONES ANULAN LA GARANTÍA, SIENDO LA REPARACIÓN CON CARGO AL CLIENTE”

Periodo amparado en aparatos según ley de garantías en la venta de bienes de consumo Ley vigente es “RD 7/2021”

Servicio Técnico Oficial: 911 08 08 08

CERTIFICATE OF GUARANTEE

The presentation of the purchase invoice accompanied by this guarantee certificate is essential.

Covered Risks.

This appliance is guaranteed against any malfunction, provided that it is intended for domestic use, proceeding to its repair within the warranty period and only by the authorized SAT network.

Our Corberó appliances have the manufacturer's legal warranty that covers any breakdown or defect for 36 months, from the invoice date of January 1, 2022. If necessary, we take care of any possible incident whenever it is due to a defective component or manufacturing fault. Warranty Exceptions

Warranty Exceptions

- That the date of the certificate does not coincide with the date of sale of the original invoice.
- Faults produced by blow, by fall or any other cause of force majeure.
- If the device has been manipulated by unauthorized personnel.
- Faults produced or derived as a consequence of improper use, installation defects, or modifications to the device that alter its operation.
- Start-up, maintenance, cleaning, components subject to wear, lamps, aesthetic parts, oxidation, plastics, rubbers, housings and crystals.
- Microwave ovens (with the exception of built-in ones) and tabletop ovens in the event of any incident of operation, they must be taken to the nearest technical service by the customer. They are not collected or repaired at home.
- Electric thermos guarantee. 3-year warranty including travel and labor costs that correspond to the repair of the product, having to have maintenance once every 12 months. Especially if you have installed a gas appliance, keep in mind as the owner of the installation, the obligation to carry out a complete review of the equipment, (according to Royal Decree 238 / 2013, of April 5. RITE. IT3, M. Lo thermos electrical and boilers that include hot water storage tanks, for the benefit of the Guarantee to apply, it is mandatory that the magnesium anode is operational and that it performs the protection function adequately. For this, it is recommended that the anode be checked biannually by the Official Service and is renewed when necessary. Periodicity that must be annual in those areas with critical waters (CaCO₃ content greater than 200mg/L, that is, from 20°fH of hardness) Deposits without the correct state of the protection anode are not covered by the warranty. Regardless of the type of tank or product, all heating or DHW overpressure valves must be channeled to avoid damage and in the house due to water discharges. The product warranty does not cover damages caused by not channeling the water spilled by this valve.

"THESE EXCEPTIONS VOID THE WARRANTY, THE REPAIR BEING CHARGED TO THE CUSTOMER"

Period covered in devices according to the law of guarantees in the sale of consumer goods Current law is "RD 7/2021"

Official Technical Service: 911 08 08 08

CERTIFICADO DE GARANTIA

A apresentação da factura de compra acompanhada deste certificado de garantia é indispensável.

Riscos cobertos.

Este aparelho está garantido contra qualquer avaria, desde que se destine ao uso doméstico, reparando-o dentro do período de garantia e apenas pela rede SAT autorizada.

Nossos eletrodomésticos Corberó têm garantia legal do fabricante que cobre qualquer avaria ou defeito por 36 meses, a partir da data da fatura de 1º de janeiro de 2022. Se necessário, cuidamos de qualquer eventual incidente desde que seja devido a um componente ou fabricação defeituoso falta.

Exceções de garantia.

- Que a data do certificado não coincida com a data de venda da fatura original.
- Avarias causadas por pancadas, quedas ou qualquer outra causa de força maior.
- Se o dispositivo foi adulterado por pessoal não autorizado.
- Avarias produzidas ou derivadas como resultado de uso indevido, defeitos de instalação, fazendo alterações no dispositivo que alteram seu funcionamento.
- Comissionamento, manutenção, limpeza, componentes sujeitos a desgaste, lâmpadas, peças estéticas, oxidação, plásticos, borrachas, invólucros e vidros.
- Fornos de microondas (exceto os embutidos) e fornos de mesa em caso de qualquer incidência de operação, devem ser levados ao serviço técnico mais próximo pelo cliente. Eles não são recolhidos ou reparados em casa.
- Garantia térmica elétrica. Garantia de 3 anos incluindo despesas de deslocação e mão-de-obra que correspondam à reparação do produto, devendo ter manutenção a cada 12 meses. Especialmente se instalou um aparelho a gás, tenha em atenção como proprietário da instalação, a obrigação de realizar uma revisão completa do equipamento, (de acordo com o Decreto-Lei n.º 84/2021. Lo termos eléctricos e caldeiras que incluem acumuladores de água quente, para o benefício da Garantia a aplicar, é obrigatório que o ânodo de magnésio esteja operacional e que desempenhe a função de protecção de forma adequada. ser verificado a cada dois anos no Serviço Oficial e renovado quando necessário Periodicidade que deve ser anual nas áreas com águas críticas (teor de CaCO3 superior a 200mg/L, ou seja, a partir de 20ºfH de dureza) Depósitos sem o estado correto do ânodo de proteção não estão cobertos pela garantia Independentemente do tipo de tanque ou produto, todas as válvulas de aquecimento ou de sobrepressão de água quente sanitária devem ser canalizadas para evitar danos e na casa devido a descargas de água. A garantia do produto não cobre danos causados pela não canalização da água derramada por esta válvula.

"ESTAS EXCEÇÕES ANULAM A GARANTIA, SENDO A REPARAÇÃO POR CONTA DO CLIENTE." Período

abrangido em dispositivos de acordo com a lei de garantias na venda de bens de consumo A lei atual é "Decreto-Lei n.º 84/2021"

Serviço Técnico Oficial: 351 961 789 806